

BALDOR • RELIANCE

Customer information packet

L3502

.33HP, 1140RPM, 1PH, 60HZ, 56, 3424L, TEFC, F1

Class - None

Division - Not Applicable

Specifications

Enclosure	TEFC
Frame	56
Frame Material	Steel
Frequency	60.00 Hz
Haz Area Class and Group	None
Haz Area Division	Not Applicable
Motor Letter Type	Cap Start, Induction Run
Output @ Frequency	.330 HP @ 60 HZ
Phase	1
Synchronous Speed @ Frequency	1200 RPM @ 60 HZ
Voltage @ Frequency	115.0 V @ 60 HZ 230.0 V @ 60 HZ
Agency Approvals	CSA UR
Ambient Temperature	40 °C
Auxiliary Box	NO AUXILLARY BOX
Auxiliary Box Lead Termination	None
Base Indicator	Rigid
Bearing Grease Type	Polyrex EM (-20F +300F)
Blower	None
Current @ Voltage	7.400 A @ 115.0 V 4.300 A @ 208.0 V 3.700 A @ 230.0 V
Design Code	N
Drip Cover	No Drip Cover
Duty Rating	CONT
Efficiency @ 100% Load	54.0 %
Electrically Isolated Bearing	Not Electrically Isolated
Feedback Device	NO FEEDBACK
Front Face Code	Standard
Front Shaft Indicator	None
Heater Indicator	No Heater

Part detail

Revision	AE
Type	AC
Mech. spec.	34C061
Base	
Status	PRD/A
Elec. spec.	34WG5855
Layout	34LYC061
Eff. date	12-30-2024
CD Diagram	CD0001
Poles	06
Leads	6#18
Proprietary	False
Created date	01-01-0001

High Voltage Full Load Amps	3.7 a
Insulation Class	B
Inverter Code	Not Inverter
KVA Code	M
Lifting Lugs	No Lifting Lugs
Locked Bearing Indicator	No Locked Bearing
Motor Lead Exit	Ko Box
Motor Lead Quantity/Wire Size	6 @ 18 AWG
Motor Lead Termination	Flying Leads
Motor Standards	NEMA
Motor Type	3424L
Mounting Arrangement	F1
Number of Poles	6
Overall Length	11.97 IN
Power Factor	55
Product Family	General Purpose
Pulley End Bearing Type	Ball
Pulley Face Code	Standard
Pulley Shaft Indicator	Standard
Rodent Screen	None
Service Factor	1.35
Shaft Diameter	0.625 IN
Shaft Extension Location	Pulley End
Shaft Ground Indicator	No Shaft Grounding
Shaft Rotation	Reversible
Shaft Slinger Indicator	No Slinger
Speed	1140 rpm
Speed Code	Single Speed
Starting Method	Direct on line
Thermal Device - Bearing	None
Thermal Device - Winding	None
Vibration Sensor Indicator	No Vibration Sensor
Winding Thermal 1	None
Winding Thermal 2	None

Nameplate

NP1256L									
CAT.NO.	L3502								
SPEC.	34C61-5855								
HP	.33								
VOLTS	115/230								
AMP	7.4/3.7								
RPM	1140								
FRAME	56		HZ	60		PH	1		
SER.F.	1.35	CODE	M	DES	N	CLASS	B		
NEMA-NOM-EFF	54	PF	55						
RATING	40C AMB-CONT								
CC									
DE	6203		ODE	6203					
ENCL	TEFC	SN							
	SFA 8.2/4.1								

Accessories

Part number	Description	Multiplier
34-171	C FACE KIT	A8

AC Induction Motor Performance Data

Record # 6824

Typical performance - not guaranteed values

Winding: 34WG5855-R001		Type: 3424L		Enclosure: OPEN	
Nameplate Data			230 V, 60 Hz: High Voltage Connection		
Rated Output (HP)	.33		Full Load Torque	1.5 LB-FT	
Volts	115/230		Start Configuration	direct on line	
Full Load Amps	7.4/3.7		Breakdown Torque	3.6 LB-FT	
R.P.M.	1140		Pull-up Torque	3.08 LB-FT	
Hz	60	Phase	1	Locked-rotor Torque	3.83 LB-FT
NEMA Design Code	N	KVA Code	M	Starting Current	15.4 A
Service Factor (S.F.)	1.35		No-load Current	3.1 A	
NEMA Nom. Eff.	54	Power Factor	55	Line-line Res. @ 25°C	6.12 Ω A Ph 5.66 Ω B Ph
Rating - Duty	40C AMB-CONT		Temp. Rise @ Rated Load	67°C	
S.F. Amps	8.2/4.1		Temp. Rise @ S.F. Load	82°C	

Load Characteristics 230 V, 60 Hz, 0.33 HP

% of Rated Load	25	50	75	100	125	150	S.F.
Power Factor	30	39	48	55	61	67	65
Efficiency	27	41	50	54	56	56	56
Speed	1185	1170	1160	1145	1125	1105	1115
Line amperes	3.1	3.35	3.5	3.7	3.9	4.4	4.1

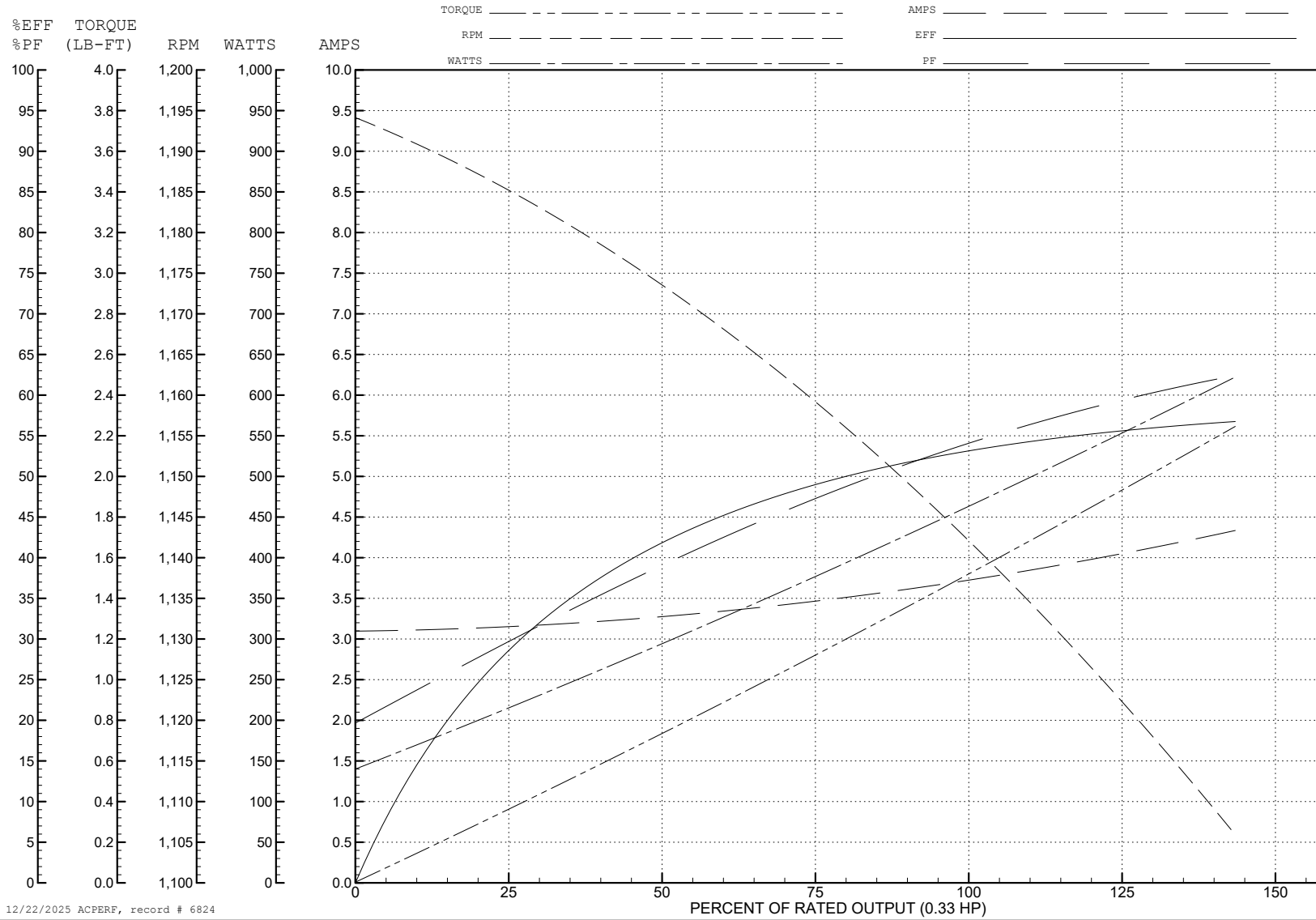
ABB Motors and Mechanical Inc.

WINDING # 34WG5855

0.33 HP 1 PH 60 HZ 1140 RPM 230 V 3424L

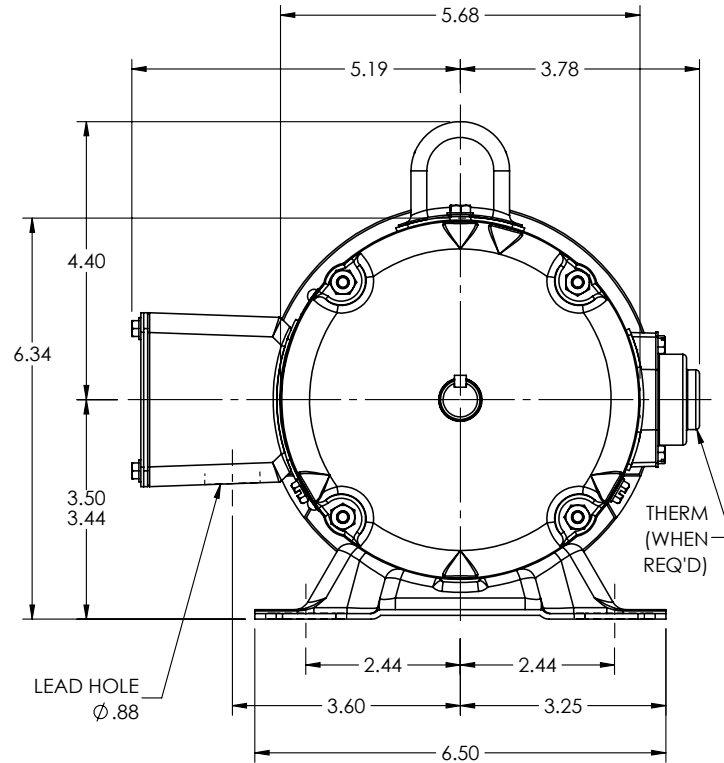
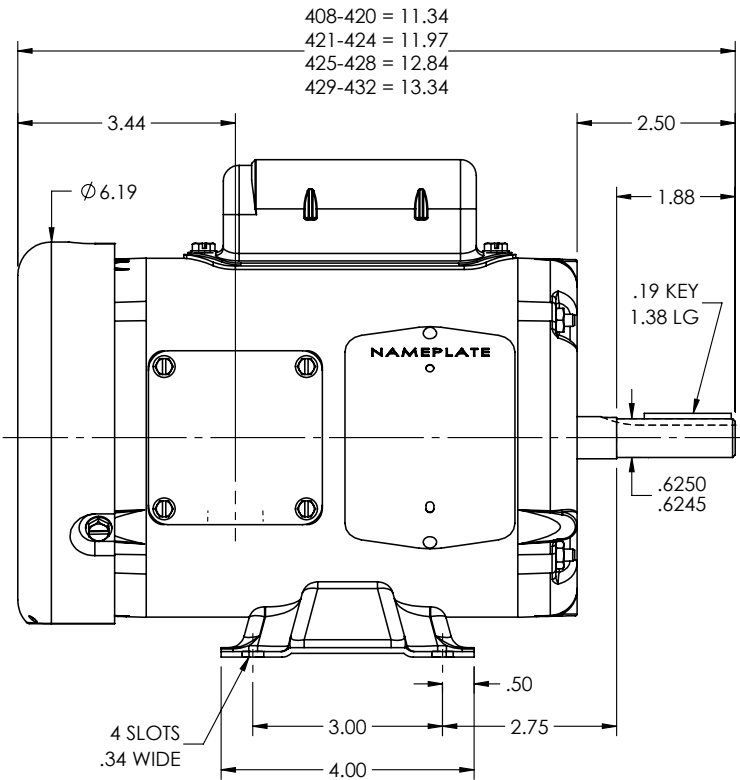
Typical performance - not guaranteed values.

TORQUES (LB-FT): PO=3.6 PU=3.08 LR=3.83 LRA=15.4



12/22/2025 ACPERF, record # 6824

34LYC061



CUSTOMER IS RESPONSIBLE FOR DETERMINING THAT THE PRODUCT WILL PERFORM SUITABLY IN THE INTENDED APPLICATION

REV. DESC: CLEAN UP DIMENSIONING

REV: J	VERSION: 04	REVISED: 04:06:14 04/11/2025	TDR: 000001253803
--------	-------------	------------------------------	-------------------

34LYC061

MODEL NO. 34LYC061
BY: ENJEFD0

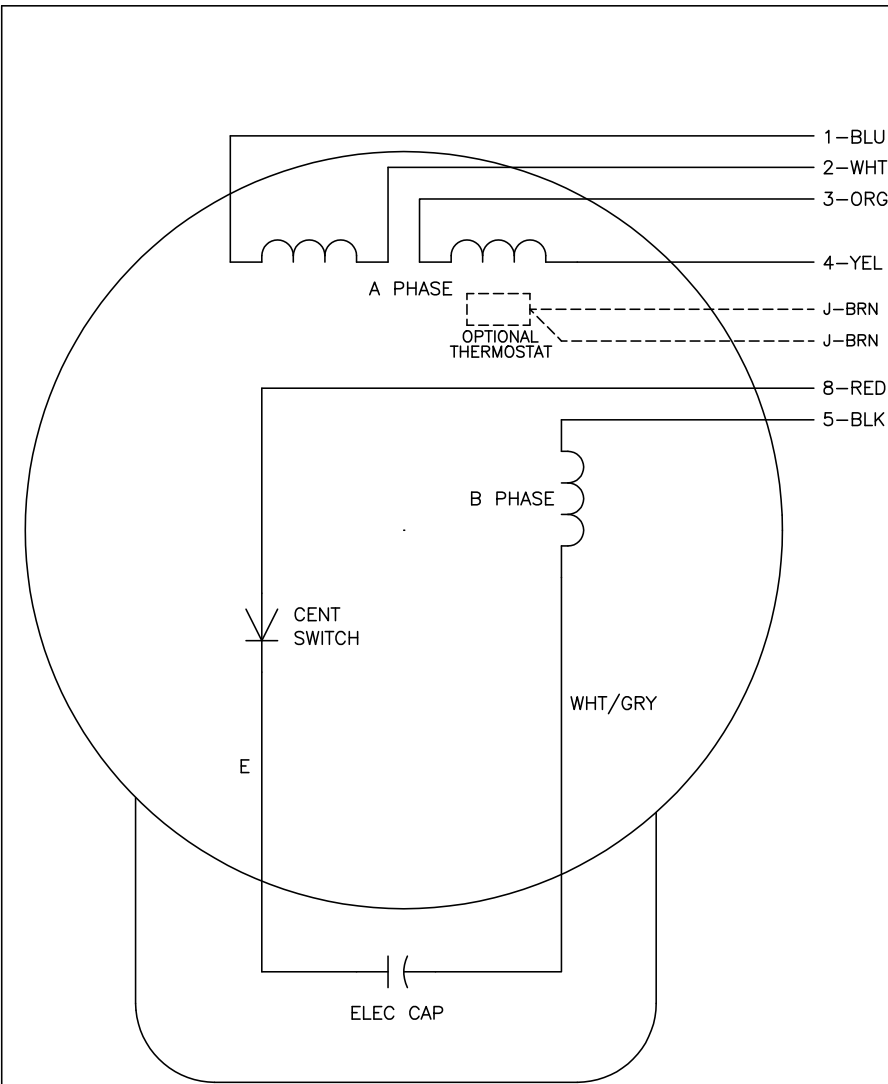
REF: -

BALDOR - RELIANCE®

STD HORZ MODEL 34L NEMA 56 TEFC

34LYC061

CD0001



	LINE A	LINE B	JOIN
HIGH STD	1	4,5	2,3,8
HIGH OPP	1	4,8	2,3,5
LOW STD	1,3,8	2,4,5	-
LOW OPP	1,3,5	2,4,8	-

NOTES:

1. STANDARD ROTATION IS CCW FACING END OPPOSITE SHAFT EXTENSION.
2. OPTIONAL THERMOSTAT IS PROVIDED WHEN SPECIFIED.
3. MULTIPLE CAPACITORS ARE CONNECTED IN PARALLEL UNLESS OTHERWISE SPECIFIED.
4. LEAD COLORS ARE OPTIONAL. LEADS MUST ALWAYS BE NUMBERED AS SHOWN.

REV. DESC: REVISE TO SHOW OPTIONAL COLORS			
REV. LTR: D	BY: JLP	REVISED: 04/08/99 1:16	TDR: 0178636
100000		FILE: AAA00007405	MDL: -
		MTL: -	

BALDOR ELECTRIC Co.

TYPE L, DV, REV, 6 LEADS

CD0001