



Customer information packet

IDM3587T

2HP, 1760RPM, 3PH, 60HZ, 145TC, 0526M, TEBC, F1

Class - None

Division - Not Applicable

Specifications

Enclosure	TEBC
Frame	145TC
Frame Material	Iron
Frequency	60.00 Hz
Haz Area Class and Group	None
Haz Area Division	Not Applicable
Motor Letter Type	Three Phase
Output @ Frequency	2.000 HP @ 60 HZ
Phase	3
Synchronous Speed @ Frequency	1800 RPM @ 60 HZ
Voltage @ Frequency	230.0 V @ 60 HZ 460.0 V @ 60 HZ
Agency Approvals	CSA UR
Ambient Temperature	40 °C
Auxiliary Box	NO AUXILLARY BOX
Auxiliary Box Lead Termination	None
Base Indicator	Rigid
Bearing Grease Type	Polyrex EM (-20F +300F)
Blower	BLOWER
Current @ Voltage	2.800 A @ 460.0 V 5.600 A @ 230.0 V 5.800 A @ 208.0 V
Design Code	B
Drip Cover	No Drip Cover
Duty Rating	CONT
Efficiency @ 100% Load	86.5 %
Electrically Isolated Bearing	Not Electrically Isolated
Feedback Device	NO FEEDBACK
Front Shaft Indicator	None
Heater Indicator	No Heater
High Voltage Full Load Amps	2.8 a

Part detail

Revision	E
Type	AC
Mech. spec.	05E535
Base	
Status	PRD/A
Elec. spec.	05WGX509
Layout	05LYE535
Eff. date	09-30-2025
CD Diagram	CD0005
Poles	04
Leads	9#18
Proprietary	False
Created date	03-11-2022

Insulation Class	H
Inverter Code	Inverter Ready
KVA Code	L
Lifting Lugs	Standard Lifting Lugs
Locked Bearing Indicator	Locked Bearing
Max Speed	2700 rpm
Motor Lead Quantity/Wire Size	9 @ 18 AWG
Motor Lead Termination	Flying Leads
Motor Standards	NEMA
Motor Type	0526M
Mounting Arrangement	F1
Number of Poles	4
Overall Length	19.15 IN
Power Factor	76
Product Family	General Purpose
Pulley End Bearing Type	Ball
Pulley Face Code	C-Face
Pulley Shaft Indicator	Standard
Rodent Screen	None
Service Factor	1.00
Shaft Diameter	0.875 IN
Shaft Ground Indicator	No Shaft Grounding
Shaft Rotation	Reversible
Shaft Slinger Indicator	Shaft Slinger
Speed	1760 rpm
Speed Code	Single Speed
Starting Method	Direct on line
Thermal Device - Bearing	None
Thermal Device - Winding	Normally Closed Thermostat
Vibration Sensor Indicator	No Vibration Sensor
Winding Thermal 1	None
Winding Thermal 2	None

Nameplate

NP4009L									
CAT.NO.	IDM3587T								
SPEC.	05E535X509G1								
FRAME	145TC	H.P.	2 TE						
VOLTS	230/460								
MAG. CUR.	3.4/1.7		F.L. AMPS	5.6/2.8					
R.P.M.	1760	R.P.M. MAX	2700						
HZ.	60	PH.	3	CLASS	H				
SER.F.	1.00	DES.	B	SL HZ	1.33				
NEMA NOM. EFF.	86.5	WK2	0.189						
BLOWER	V	115	PH	1	HZ	60	AMPS	0.5	
RATING	40C AMB-CONT								
DE	6205	ODE	6203						
CC	010A	SN							
	1000:1 CT/VT								

AC Induction Motor Performance Data

Record # 81962

Typical performance - not guaranteed values

Winding: 05WGX509-R003		Type: 0526M		Enclosure: TEBC	
Nameplate Data			460 V, 60 Hz: High Voltage Connection		
Rated Output (HP)	2		Full Load Torque	5.976 LB-FT	
Volts	230/460		Start Configuration	direct on line	
Full Load Amps	5.6/2.8		Breakdown Torque	23.5 LB-FT	
R.P.M.	1760		Pull-up Torque	11.5 LB-FT	
Hz	60 Phase	3	Locked-rotor Torque	15.6 LB-FT	
NEMA Design Code	B KVA Code	L	Starting Current	22.7 A	
Service Factor (S.F.)	1		No-load Current	1.69 A	
NEMA Nom. Eff.	86.5 Power Factor	76	Line-line Res. @ 25°C	9.5456 Ω	
Rating - Duty	40C AMB-CONT		Temp. Rise @ Rated Load	40°C	
			Locked-rotor Power Factor	58.1	
			Rotor inertia	0.188 lb-ft ²	

Load Characteristics 460 V, 60 Hz, 2 HP

% of Rated Load	25	50	75	100	125	150
Power Factor	34	55	68	77	81	84
Efficiency	77.5	85.2	86.9	86.8	85.8	84.3
Speed	1789.9	1781.4	1772.2	1762.2	1751.3	1739.3
Line amperes	1.75	1.99	2.37	2.83	3.36	3.96

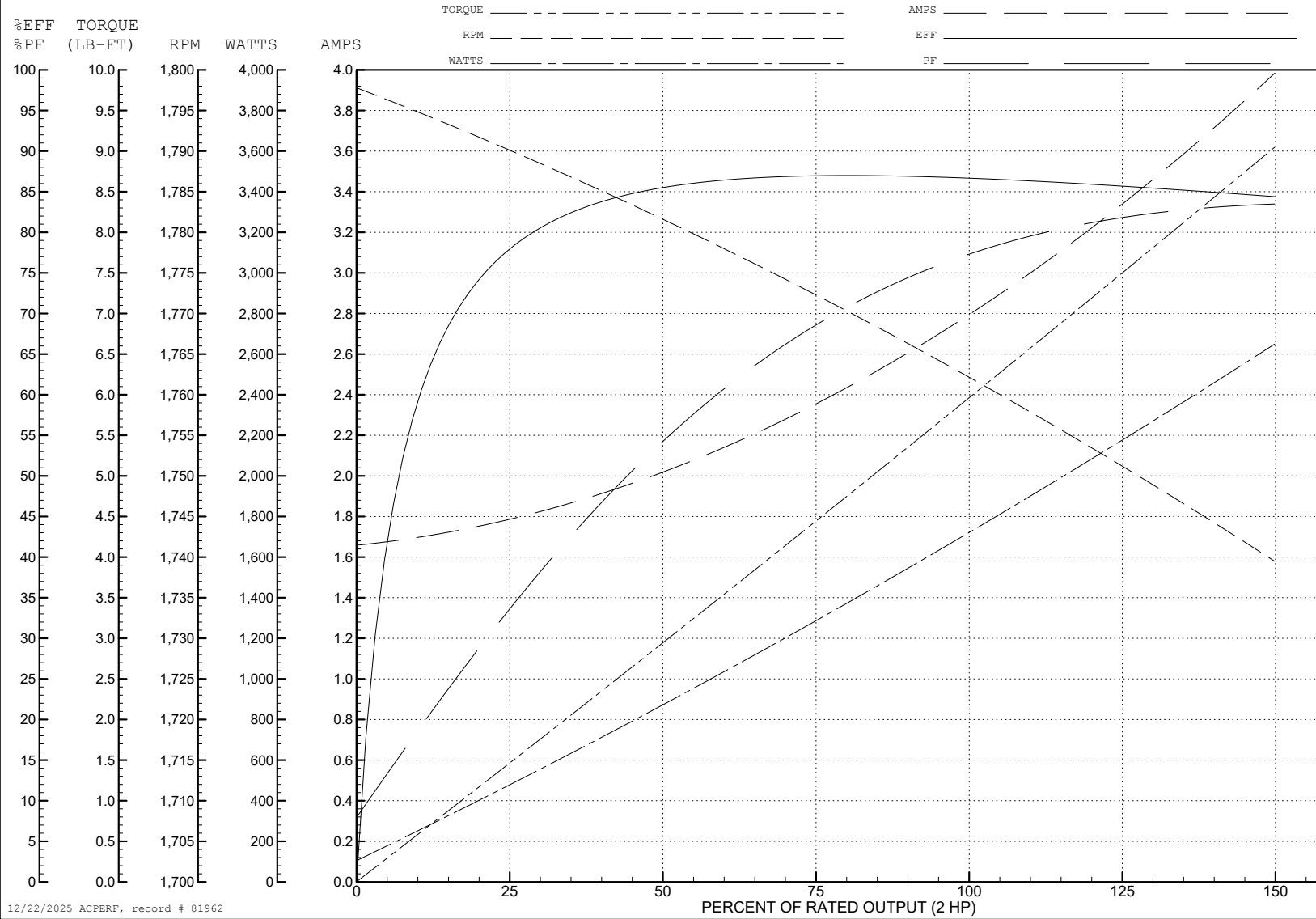
ABB Motors and Mechanical Inc.

WINDING # 05WGX509

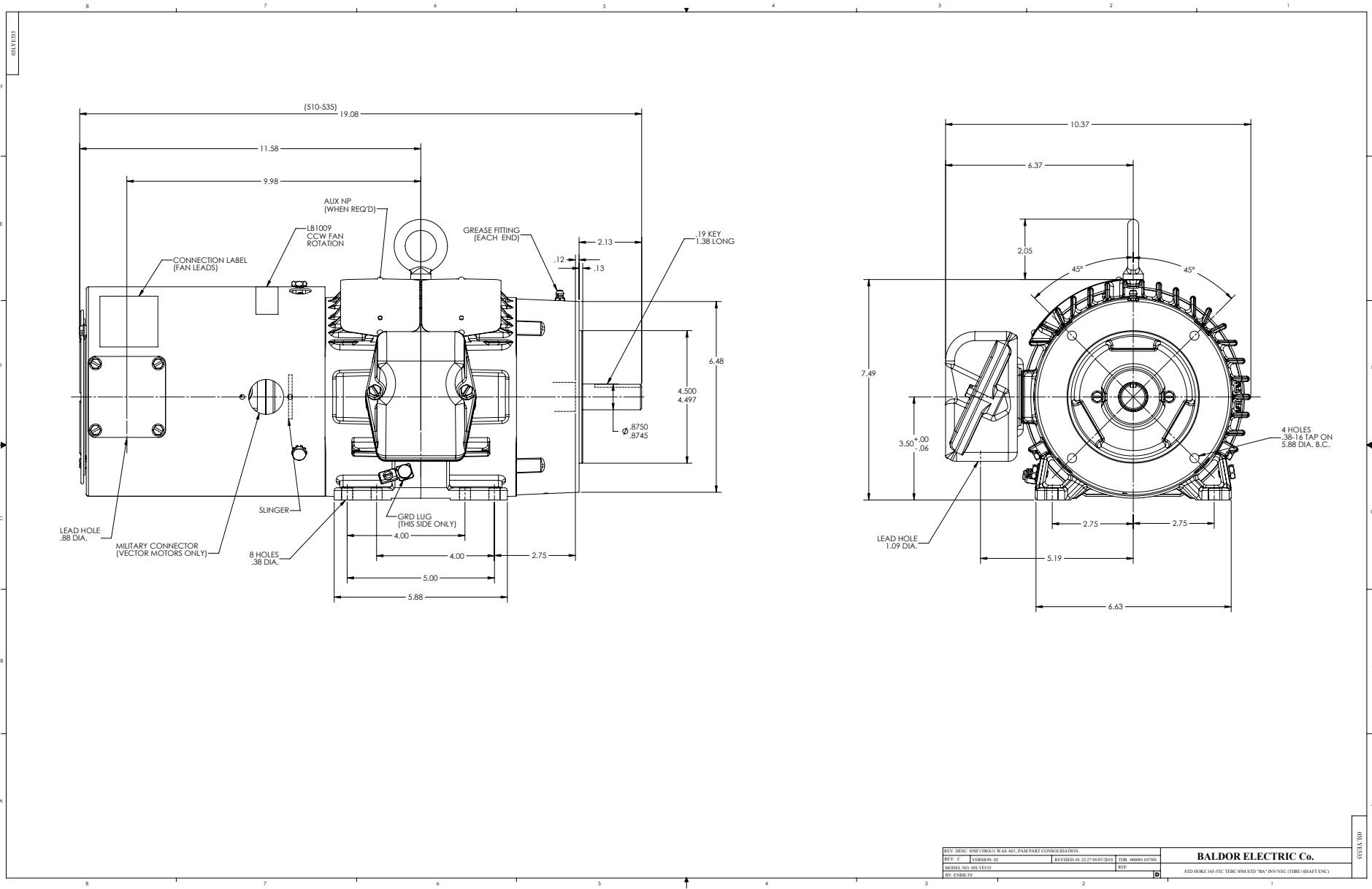
2 HP 3 PH 60 HZ 1760 RPM 460 V 0526M

Typical performance - not guaranteed values.

TORQUES (LB-FT): PO=23.5 PU=11.5 LR=15.6 LRA=22.7



12/22/2025 ACPERF, record # 81962



REV. DESC: 0526M/0526M1 WAS NOT PAM PART CONSULTATION	REV. C	INTERSON, INC	REVISED: 01/22/27 05/07/2019	TRF: 00000107502	BALDOR ELECTRIC Co.
MODEL NO. 05E535	REV				
BY: ENB119					
STD: H0RZ 145-TC TEBC 05M STD "BA" 05V/05C (TRBL-SHAFT ENC)					

CD0005



LOW VOLTAGE
(2Y)



LINE

HIGH VOLTAGE
(1Y)



LINE

NOTES:

1. INTERCHANGE ANY TWO LINE LEADS TO REVERSE ROTATION.
2. OPTIONAL THERMOSTATS ARE PROVIDED WHEN SPECIFIED.
3. ACTUAL NUMBER OF INTERNAL PARALLEL CIRCUITS MAY BE A MULTIPLE OF THOSE SHOWN ABOVE.
4. LEAD COLORS ARE OPTIONAL. LEADS MUST ALWAYS BE NUMBERED AS SHOWN.

CD0005

REV. DESC: REVISE TO SHOW OPTIONAL COLORS			
REV. LTR: E	BY: JLP	REVISED: 01/19/99 10:15	TDR: 0171435
S00000		FILE: AAA00005140	MDL: -
		MTL: -	

BALDOR ELECTRIC Co.

3PH, DV, 9 LEADS