

BALDOR • RELIANCE

Customer information packet

IDM3582T

26M 6P TEBC HOR 145TC T'STATS INVERTER

Class - None

Division - Not Applicable

Copyright © All product information within this document is subject to ABB Motors and Mechanical Inc. copyright © protection, unless otherwise noted.

12/22/2025 10:32:13 PM

Specifications

Enclosure	TEBC
Frame	145TC
Frame Material	Iron
Frequency	60.00 Hz
Haz Area Class and Group	None
Haz Area Division	Not Applicable
Motor Letter Type	Three Phase
Output @ Frequency	1.000 HP @ 60 HZ
Phase	3
Synchronous Speed @ Frequency	1200 RPM @ 60 HZ
Voltage @ Frequency	230.0 V @ 60 HZ 460.0 V @ 60 HZ
Agency Approvals	CSA UR
Ambient Temperature	40 °C
Auxiliary Box	NO AUXILLARY BOX
Auxiliary Box Lead Termination	None
Base Indicator	Rigid
Bearing Grease Type	Polyrex EM (-20F +300F)
Blower	BLOWER
Current @ Voltage	3.000 A @ 230.0 V 1.500 A @ 460.0 V
Design Code	B
Drip Cover	No Drip Cover
Duty Rating	CONT
Efficiency @ 100% Load	82.5 %
Electrically Isolated Bearing	Not Electrically Isolated
Feedback Device	NO FEEDBACK
Front Shaft Indicator	None
Heater Indicator	No Heater
High Voltage Full Load Amps	1.5 a
Insulation Class	H

Part detail

Revision	B
Type	AC
Mech. spec.	05E535
Base	
Status	PRD/A
Elec. spec.	05WGX571
Layout	05LYE535
Eff. date	09-30-2025
CD Diagram	CD0005
Poles	06
Leads	9#18
Proprietary	False
Created date	09-09-2022

Inverter Code	Inverter Duty
KVA Code	J
Lifting Lugs	Standard Lifting Lugs
Locked Bearing Indicator	Locked Bearing
Max Speed	1800 rpm
Motor Lead Quantity/Wire Size	9 @ 18 AWG
Motor Lead Termination	Flying Leads
Motor Standards	NEMA
Motor Type	0526M
Mounting Arrangement	F1
Number of Poles	6
Overall Length	19.15 IN
Power Factor	67
Product Family	General Purpose
Pulley End Bearing Type	Ball
Pulley Face Code	C-Face
Pulley Shaft Indicator	Standard
Rodent Screen	None
Service Factor	1.00
Shaft Diameter	0.875 IN
Shaft Ground Indicator	No Shaft Grounding
Shaft Rotation	Reversible: Connected Standard
Shaft Slinger Indicator	Shaft Slinger
Speed	1170 rpm
Speed Code	Single Speed
Starting Method	Direct on line
Thermal Device - Bearing	None
Thermal Device - Winding	Normally Closed Thermostat
Vibration Sensor Indicator	No Vibration Sensor
Winding Thermal 1	None
Winding Thermal 2	None

Nameplate

NP3855L									
CAT.NO.	IDM3582T								
SPEC.	05E535X571G1								
FRAME	145TC	H.P.	1 TE						
VOLTS	230/460								
MAG. CUR.	2/1	F.L. AMPS	3/1.5						
R.P.M.	1170	R.P.M. MAX	1800						
HZ.	60	PH.	3	CLASS	H				
SER.F.	1.00	DES.	B	SL HZ	1.5				
NEMA NOM. EFF.	82.5	WK2	0.189						
BLOWER	V	115	PH	1	HZ	60	AMPS	.5	
RATING	40C AMB-CONT								
DE	6205	ODE	6203						
CC	010A	SN							
	1000:1 CT/VT								

AC Induction Motor Performance Data

Record # 87613

Typical performance - not guaranteed values

Winding: 05WGX571-R004		Type: 0526M	Enclosure: TEFC	
Nameplate Data			460 V, 60 Hz: High Voltage Connection	
Rated Output (HP)	1	Full Load Torque	4.479 LB-FT	
Volts	230/460	Start Configuration	direct on line	
Full Load Amps	3.4/1.7	Breakdown Torque	11.9 LB-FT	
R.P.M.	1155	Pull-up Torque	7.06 LB-FT	
Hz	60 Phase	3	Locked-rotor Torque	8.62 LB-FT
NEMA Design Code	B KVA Code	J	Starting Current	9.06 A
Service Factor (S.F.)		1	No-load Current	1.02 A
NEMA Nom. Eff.	82.5 Power Factor	67	Line-line Res. @ 25°C	20.372 Ω
Rating - Duty	40C AMB-CONT		Temp. Rise @ Rated Load	46°C
			Locked-rotor Power Factor	48.3
			Rotor inertia	0.189 lb-ft ²

Load Characteristics 460 V, 60 Hz, 1 HP

% of Rated Load	25	50	75	100	125	150
Power Factor	29	47	1	1	1	1
Efficiency	73.5	81.9	83.5	83.1	81.6	79.1
Speed	1192.5	1185.4	1177.6	1168.7	1159	1147
Line amperes	1.07	1.21	1.41	1.67	1.98	2.35

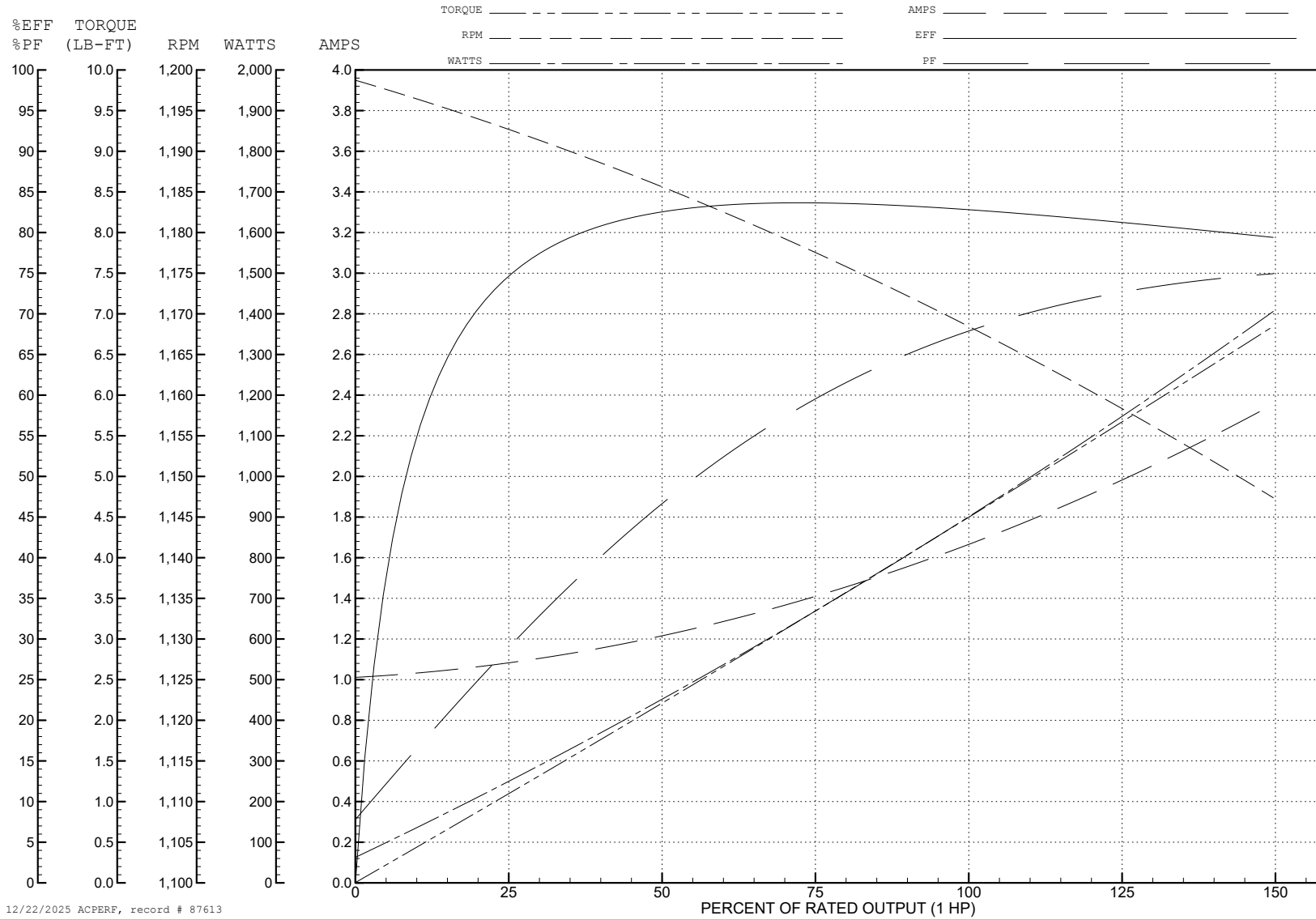
ABB Motors and Mechanical Inc.

WINDING # 05WGX571

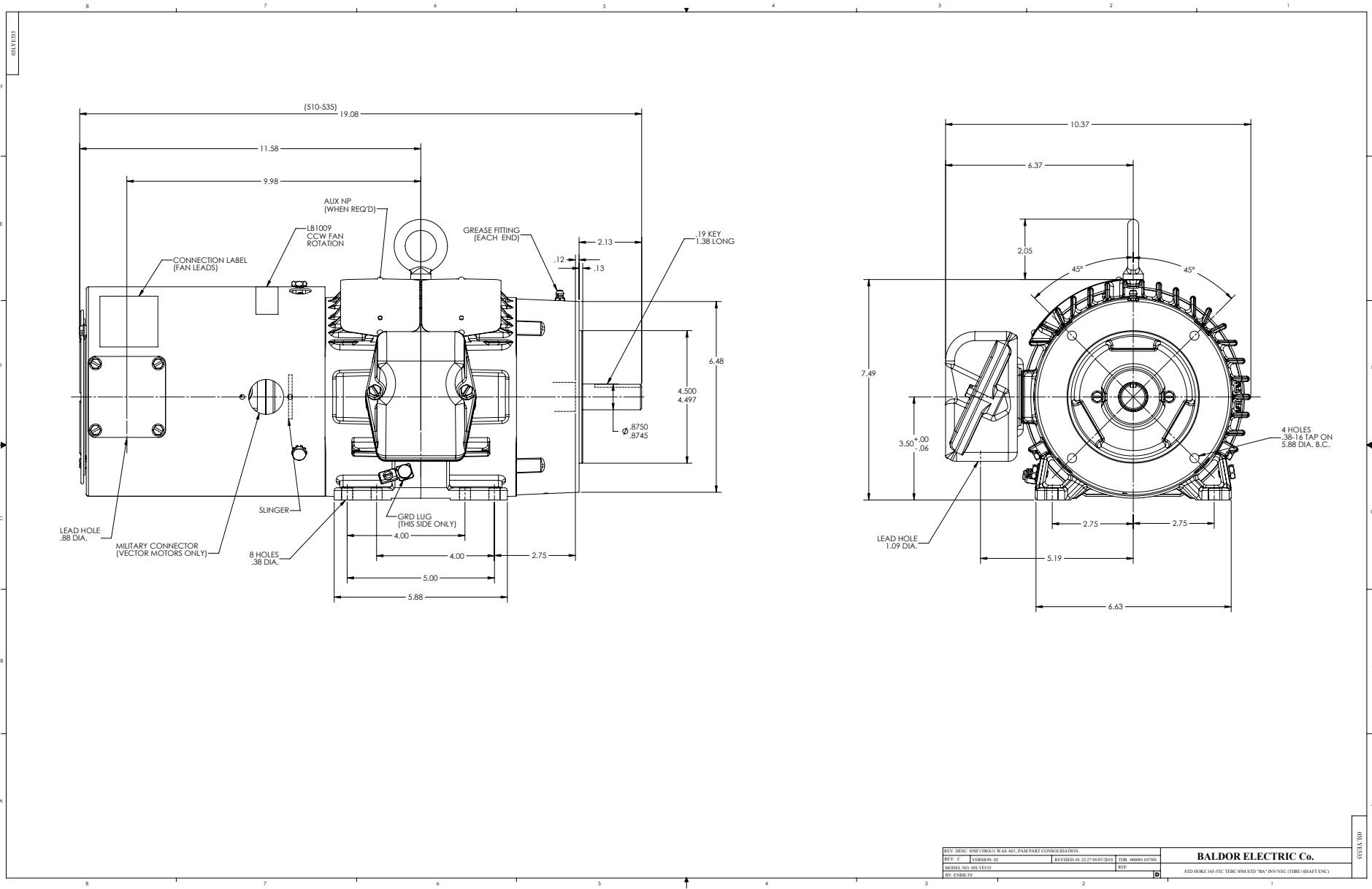
Typical performance - not guaranteed values.

1 HP 3 PH 60 HZ 1155 RPM 460 V 0526M

TORQUES (LB-FT): PO=11.9 PU=7.06 LR=8.62 LRA=9.06



12/22/2025 ACPERF, record # 87613



REV. DESC: 002/08/01 WAS NOT PAM PART CONSULTATION		REV. C INTERSON, IC REVISED: 01/22/27 05/07/2019 TDR: 00000107502		BALDOR ELECTRIC Co.
MODEL NO. 05E535		REF		
BY: ENB119		D		
				STD HORZ 145-TC TEBC 6M STD "BA" IN/VC (TRBL-SHAFT ENC)

CD0005



LOW VOLTAGE
(2Y)



LINE

HIGH VOLTAGE
(1Y)



LINE

NOTES:

1. INTERCHANGE ANY TWO LINE LEADS TO REVERSE ROTATION.
2. OPTIONAL THERMOSTATS ARE PROVIDED WHEN SPECIFIED.
3. ACTUAL NUMBER OF INTERNAL PARALLEL CIRCUITS MAY BE A MULTIPLE OF THOSE SHOWN ABOVE.
4. LEAD COLORS ARE OPTIONAL. LEADS MUST ALWAYS BE NUMBERED AS SHOWN.

CD0005

REV. DESC: REVISE TO SHOW OPTIONAL COLORS			
REV. LTR: E	BY: JLP	REVISED: 01/19/99 10:15	TDR: 0171435
S00000		FILE: AAA00005140	MDL: -
		MTL: -	

BALDOR ELECTRIC Co.

3PH, DV, 9 LEADS