



Customer information packet

EM3770T-8G

7.5HP, 1770RPM, 3PH, 60HZ, 213T, 0738M, TEFC, F

Class - None

Division - Not Applicable

Specifications

Enclosure	TEFC
Frame	213T
Frame Material	Iron
Frequency	60.00 Hz
Haz Area Class and Group	None
Haz Area Division	Not Applicable
Motor Letter Type	Three Phase
Output @ Frequency	7.500 HP @ 60 HZ
Phase	3
Synchronous Speed @ Frequency	1800 RPM @ 60 HZ
Voltage @ Frequency	200.0 V @ 60 HZ
Agency Approvals	CSA CSA EEV UR
Ambient Temperature	40 °C
Auxiliary Box	NO AUXILLARY BOX
Auxiliary Box Lead Termination	None
Base Indicator	Rigid
Bearing Grease Type	Polyrex EM (-20F +300F)
Blower	None
Current @ Voltage	21.200 A @ 208.0 V 21.400 A @ 200.0 V
Design Code	A
Drip Cover	No Drip Cover
Duty Rating	CONT
Efficiency @ 100% Load	91.7 %
Electrically Isolated Bearing	Not Electrically Isolated
Feedback Device	NO FEEDBACK
Front Face Code	Standard
Front Shaft Indicator	None
Heater Indicator	No Heater
High Voltage Full Load Amps	21.4 a

Part detail

Revision	N
Type	AC
Mech. spec.	07L783
Base	
Status	PRD/A
Elec. spec.	07WGX497
Layout	07LYL783
Eff. date	05-02-2025
CD Diagram	CD0006
Poles	04
Leads	3#12
Proprietary	False
Created date	09-11-2013

Insulation Class	H
Inverter Code	Inverter Ready
KVA Code	J
Lifting Lugs	Standard Lifting Lugs
Locked Bearing Indicator	Locked Bearing
Motor Lead Exit	Ko Box
Motor Lead Quantity/Wire Size	3 @ 12 AWG
Motor Lead Termination	Flying Leads
Motor Standards	NEMA
Motor Type	0738M
Mounting Arrangement	F1
Number of Poles	4
Overall Length	18.45 IN
Power Factor	81
Product Family	General Purpose
Pulley End Bearing Type	Ball
Pulley Face Code	Standard
Pulley Shaft Indicator	Standard
Rodent Screen	None
RoHS Status	ROHS COMPLIANT
Service Factor	1.15
Shaft Diameter	1.375 IN
Shaft Extension Location	Pulley End
Shaft Ground Indicator	Shaft Grounding
Shaft Rotation	Reversible
Shaft Slinger Indicator	No Slinger
Speed	1770 rpm
Speed Code	Single Speed
Starting Method	Direct on line
Thermal Device - Bearing	None
Thermal Device - Winding	None
Vibration Sensor Indicator	No Vibration Sensor
Winding Thermal 1	None
Winding Thermal 2	None

Nameplate

NP3441L									
CAT.NO.	EM3770T-8G								
SPEC.	07L783X497G1								
HP	7.5								
VOLTS	200								
AMP	21.4								
RPM	1770								
FRAME	213T		HZ	60		PH	3		
SER.F.	1.15	CODE	J	DES	A	CL	H		
NEMA-NOM-EFF	91.7	PF	81						
RATING	40C AMB-CONT								
CC	010A								
DE	6307	ODE	6206						
ENCL	TEFC	SN							
VPWM INVERTER READY									
CT6-60H(10:1)VT3-60H(20:1)									

AC Induction Motor Performance Data

Record # 50351

Typical performance - not guaranteed values

Winding: 07WGX497-R007		Type: 0738M		Enclosure: TEFC	
Nameplate Data			200 V, 60 Hz: Single Voltage Motor		
Rated Output (HP)	7.5	Full Load Torque	22.1 LB-FT		
Volts	200	Start Configuration	direct on line		
Full Load Amps	21.4	Breakdown Torque	66.9 LB-FT		
R.P.M.	1770	Pull-up Torque	30.7 LB-FT		
Hz	60 Phase	3	Locked-rotor Torque	40.4 LB-FT	
NEMA Design Code	A	KVA Code	J	Starting Current	154 A
Service Factor (S.F.)	1.15		No-load Current	9.21 A	
NEMA Nom. Eff.	91.7	Power Factor	81	Line-line Res. @ 25°C	0.29 Ω
Rating - Duty	40C AMB-CONT		Temp. Rise @ Rated Load	42°C	
S.F. Amps			Temp. Rise @ S.F. Load	51°C	
			Locked-rotor Power Factor	37.6	
			Rotor inertia	0.934 LB-FT ²	

Load Characteristics 200 V, 60 Hz, 7.5 HP

% of Rated Load	25	50	75	100	125	150	S.F.
Power Factor	44	66	76	81	84	85	83
Efficiency	87.7	91.4	92	91.7	90.7	89.6	91.1
Speed	1793	1785	1777	1769	1758	1748	1762
Line amperes	10.5	13.4	17.1	21.5	26.5	31.9	24.4

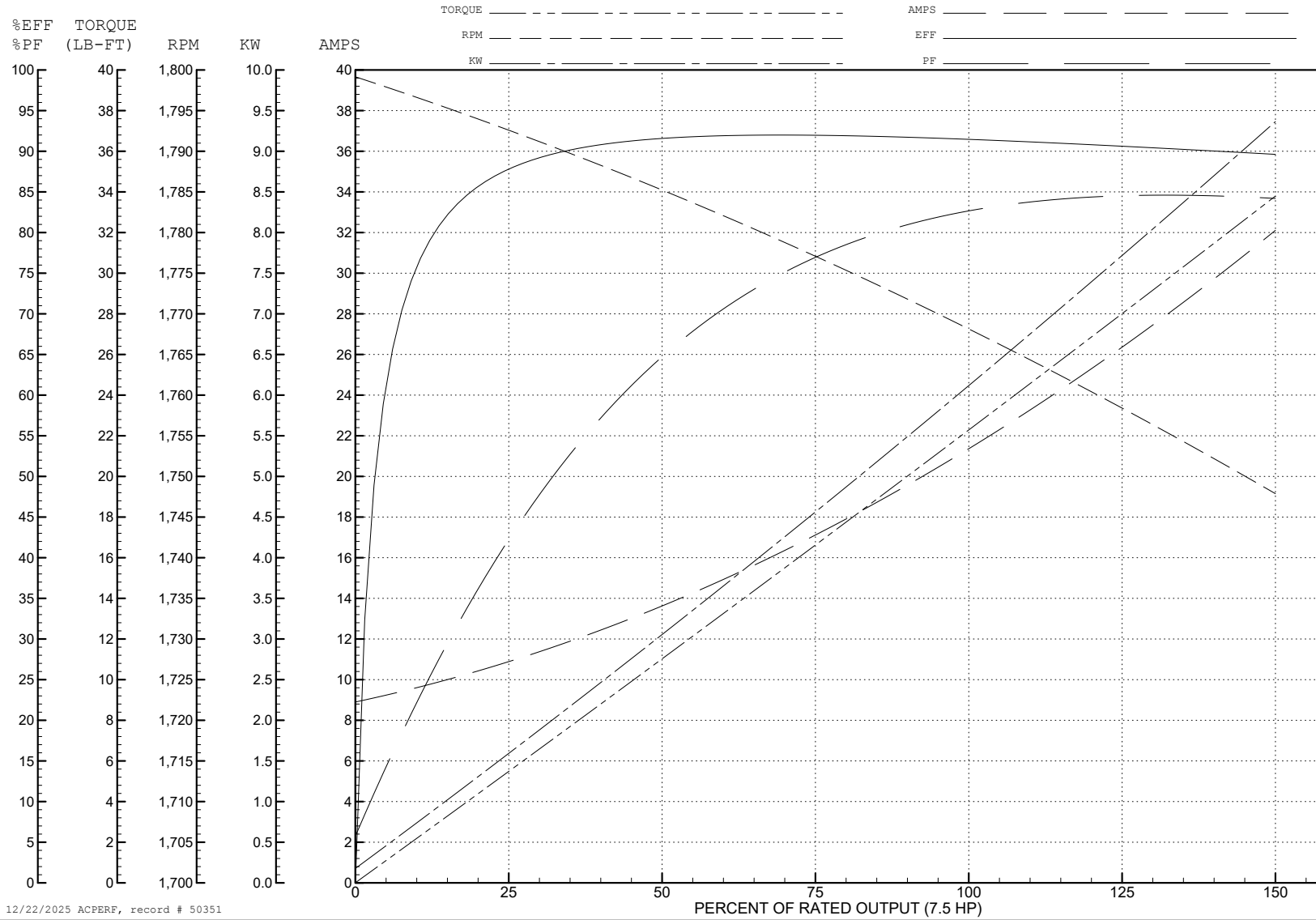
ABB Motors and Mechanical Inc.

WINDING # 07WGX497

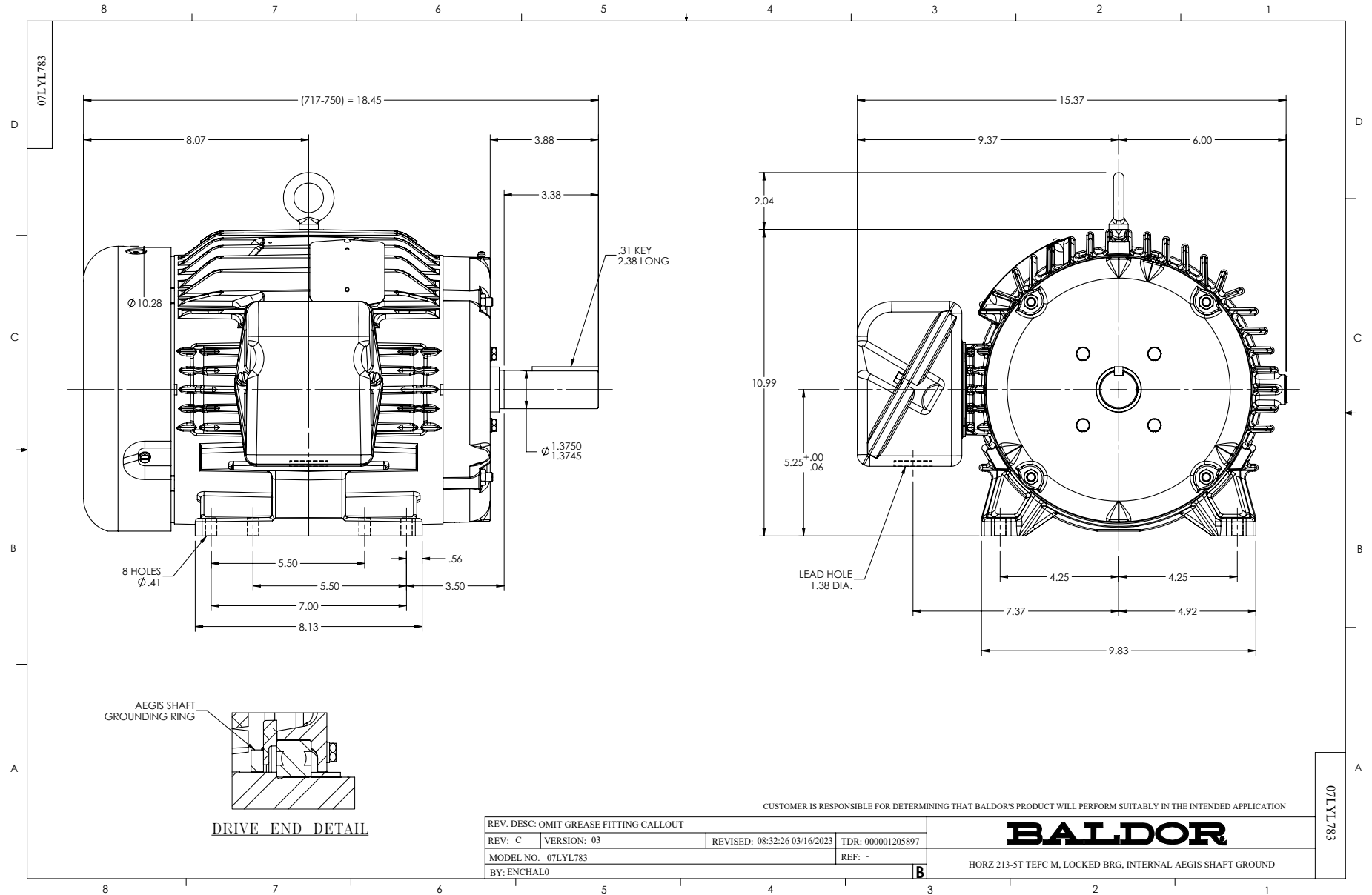
Typical performance - not guaranteed values.

7.5 HP 3 PH 60 HZ 1770 RPM 200 V 0738M

TORQUES (LB-FT): PO=66.9 PU=30.7 LR=40.4 LRA=154



12/22/2025 ACPERF, record # 50351



CD0006



NOTES:

1. THREE LEAD MOTOR MAY BE EITHER WYE CONNECTED OR DELTA CONNECTED.
2. INTERCHANGE ANY TWO LINE LEADS TO REVERSE ROTATION.
3. OPTIONAL THERMOSTATS ARE PROVIDED WHEN SPECIFIED.
4. ACTUAL NUMBER OF INTERNAL PARALLEL CIRCUITS MAY VARY.
5. LEAD COLORS ARE OPTIONAL. LEADS MUST BE NUMBERED AS SHOWN.

CD0006

REV. DESC: ADD CLASS CONN00000007		
REV. LTR: E	VERSION: 01	TDR: 000001099922
FILE: \AAA\00005\141	REVISED: 10:24:49 02/19/2019	BY: ENBRIRO
MTL: -	© □	

BALDOR - RELIANCE®

3PH, SV, 3 LEADS, WYE OR DELTA CONNECTED

SH 1 of 1