

BALDOR • RELIANCE

Customer information packet

EM2535T-5

30HP, 1775RPM, 3PH, 60HZ, 286T, 4060M, OPSB, F1

Specifications

Enclosure	OPSB
Frame	286T
Frame Material	Steel
Frequency	60.00 Hz
Motor Letter Type	Three Phase
Output @ Frequency	30.000 HP @ 60 HZ
Phase	3
Synchronous Speed @ Frequency	1800 RPM @ 60 HZ
Voltage @ Frequency	575.0 V @ 60 HZ
Agency Approvals	CSA EEV UR NEMA_PREMIUM NEMA PREMIUM
Ambient Temperature	40 °C
Auxiliary Box	NO AUXILLARY BOX
Auxiliary Box Lead Termination	None
Base Indicator	Rigid
Bearing Grease Type	Polyrex EM (-20F +300F)
Blower	None
Current @ Voltage	29.000 A @ 575.0 V
Design Code	A
Drip Cover	No Drip Cover
Duty Rating	CONT
Efficiency @ 100% Load	94.1 %
Electrically Isolated Bearing	Not Electrically Isolated
Feedback Device	NO FEEDBACK
Front Face Code	Standard
Front Shaft Indicator	None
Heater Indicator	No Heater
High Voltage Full Load Amps	29.0 a
Insulation Class	F
Inverter Code	Inverter Ready

Part detail

Revision	Q
Type	AC
Mech. spec.	40G48
Base	
Status	PRD/A
Elec. spec.	40WGX351
Layout	40LYG048
Eff. date	09-02-2025
CD Diagram	CD0006
Poles	04
Leads	3#10
Proprietary	False
Created date	05-26-2016

IP Rating	NONE
KVA Code	H
Lifting Lugs	Standard Lifting Lugs
Locked Bearing Indicator	No Locked Bearing
Motor Lead Exit	Ko Box
Motor Lead Quantity/Wire Size	3 @ 10 AWG
Motor Lead Termination	Flying Leads
Motor Standards	NEMA
Motor Type	4060M
Mounting Arrangement	F1
Number of Poles	4
Overall Length	26.06 IN
Power Factor	82
Product Family	General Purpose
Pulley End Bearing Type	Ball
Pulley Face Code	Standard
Pulley Shaft Indicator	Standard
Rodent Screen	None
Service Factor	1.15
Shaft Diameter	1.875 IN
Shaft Extension Location	Pulley End
Shaft Ground Indicator	No Shaft Grounding
Shaft Rotation	Reversible
Shaft Slinger Indicator	No Slinger
Speed	1775 rpm
Speed Code	Single Speed
Starting Method	Direct on line
Thermal Device - Bearing	None
Thermal Device - Winding	None
Vibration Sensor Indicator	No Vibration Sensor
Winding Thermal 1	None
Winding Thermal 2	None

Nameplate

NP2138L

CAT.NO.	EM2535T-5	P/N		ENCLOSURE	OPSB		
SPEC.	40G048X351	CC	010A	FRAME	286T	S/N	
HP	30	CLASS	F	HZ	60		
RPM	1775	PH	3	DES	A		
VOLT	575	KVA-CODE	H	ODE BRG	6309	DE BRG	6311
AMP	29						
RATING	40C AMB-CONT	GREASE	POLYREX EM				
NEMA-NOM-EFF	94.1	PF	82	SER.F.	1.15		
HTR-VOLTS		HTR-AMPS					

Accessories

Part number	Description	Multiplier
40-1400	C FACE KIT	A8

AC Induction Motor Performance Data

Record # 57333

Typical performance - not guaranteed values

Winding: 40WGX351-R001		Type: 4060M		Enclosure: OPSB	
Nameplate Data			575 V, 60 Hz: Single Voltage Motor		
Rated Output (HP)	30	Full Load Torque	88.7 LB-FT		
Volts	575	Start Configuration	direct on line		
Full Load Amps	29	Breakdown Torque	278 LB-FT		
R.P.M.	1775	Pull-up Torque	129 LB-FT		
Hz	60 Phase	3	Locked-rotor Torque	160 LB-FT	
NEMA Design Code	A	KVA Code	H	Starting Current	200 A
Service Factor (S.F.)	1.15		No-load Current	12.2 A	
NEMA Nom. Eff.	94.1	Power Factor	82	Line-line Res. @ 25°C	0.328 Ω
Rating - Duty	40C AMB-CONT		Temp. Rise @ Rated Load	29°C	
S.F. Amps			Temp. Rise @ S.F. Load	35°C	
			Locked-rotor Power Factor	31.5	
			Rotor inertia	4.77 LB-FT ²	

Load Characteristics 575 V, 60 Hz, 30 HP

% of Rated Load	25	50	75	100	125	150	S.F.
Power Factor	45	67	78	83	85	85	84
Efficiency	90.4	93.8	94.4	94.3	93.5	93	93.8
Speed	1794	1788	1782	1777	1770	1763	1773
Line amperes	14	17.9	23.1	28.9	35.4	42.4	32.8

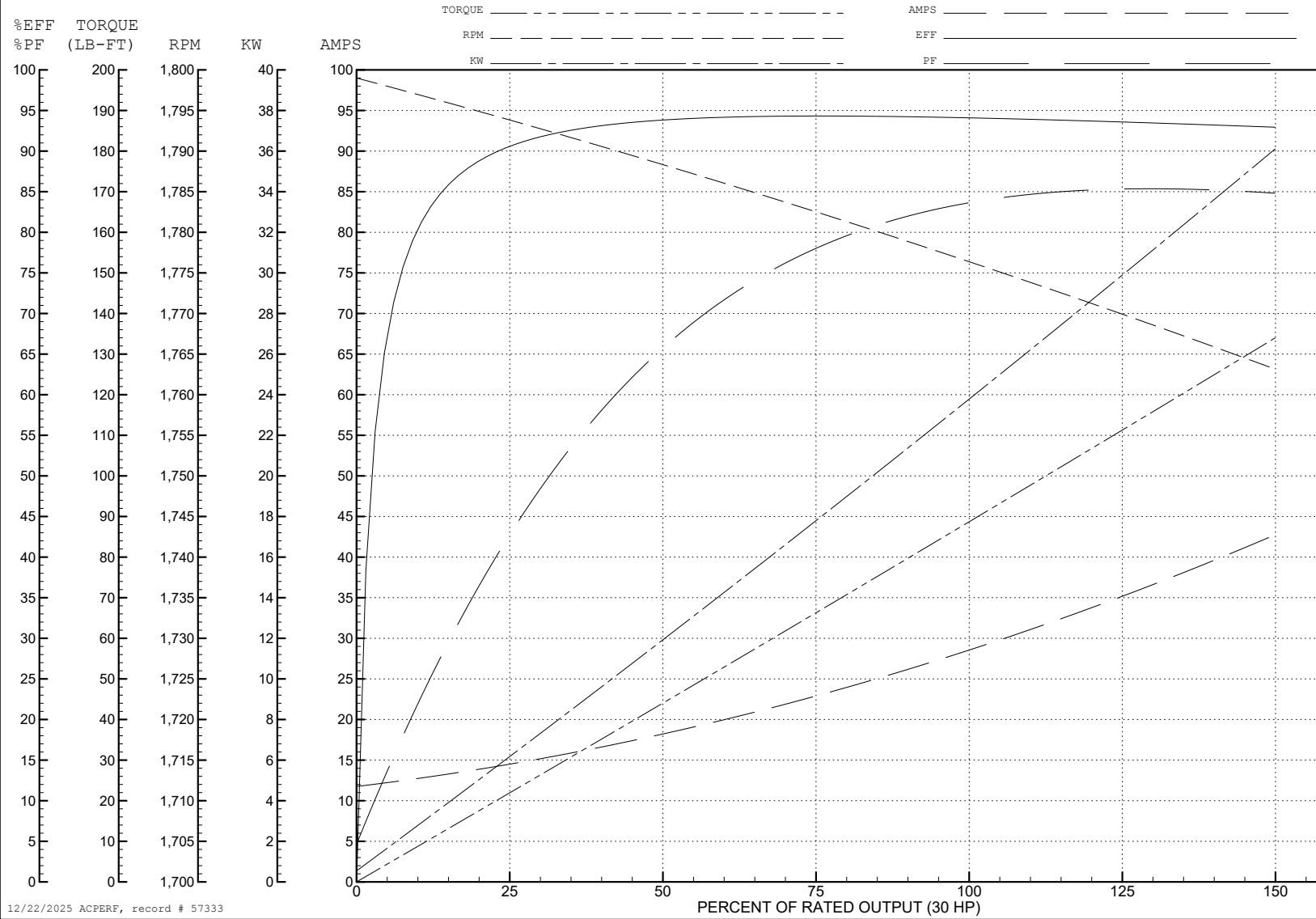
ABB Motors and Mechanical Inc.

WINDING # 40WX351

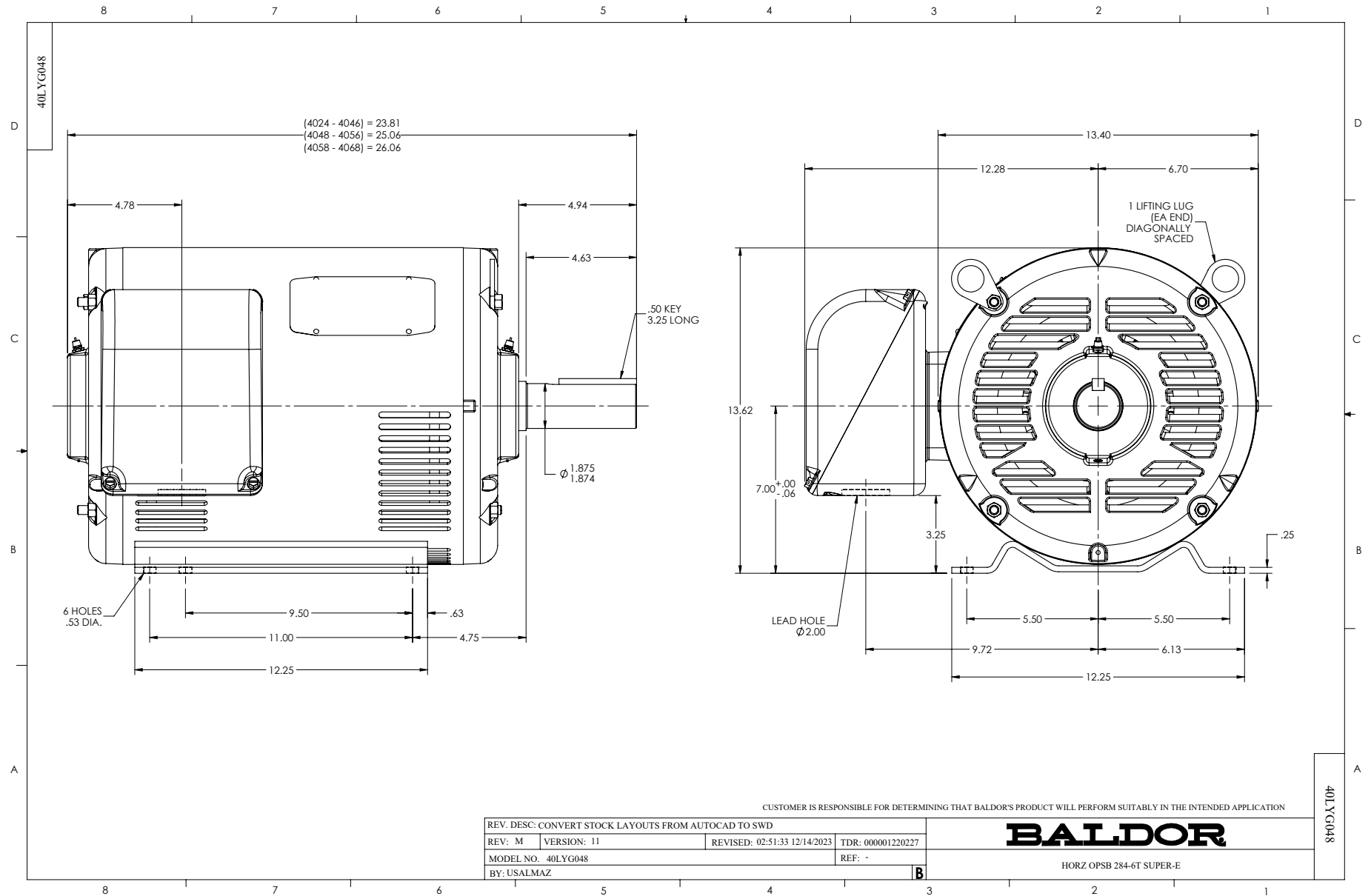
Typical performance - not guaranteed values.

30 HP 3 PH 60 HZ 1775 RPM 575 V 4060M

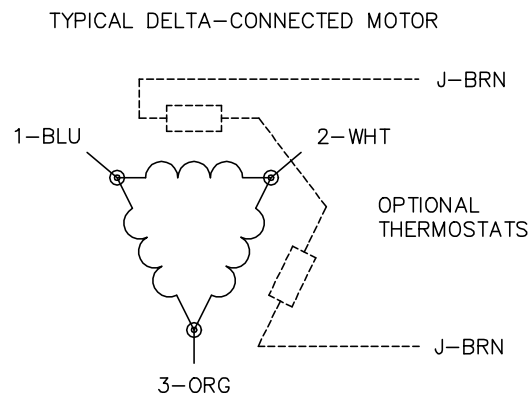
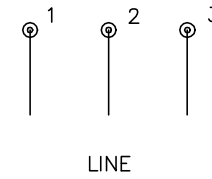
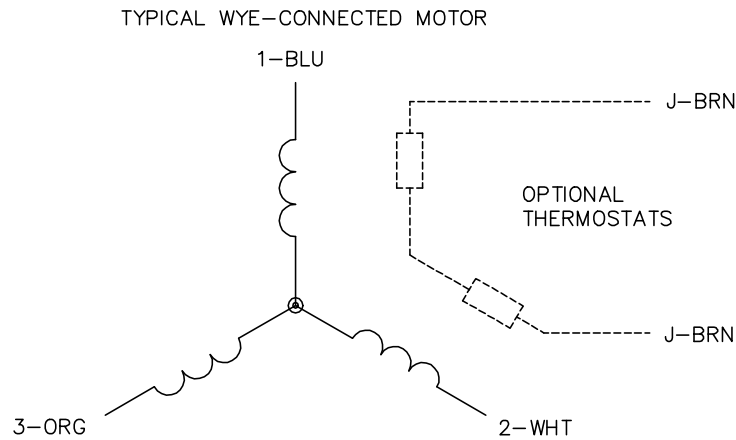
TORQUES (LB-FT): PO=278 PU=129 LR=160 LRA=200



12/22/2025 ACPERF, record # 57333



CD0006



NOTES:

1. THREE LEAD MOTOR MAY BE EITHER WYE CONNECTED OR DELTA CONNECTED.
2. INTERCHANGE ANY TWO LINE LEADS TO REVERSE ROTATION.
3. OPTIONAL THERMOSTATS ARE PROVIDED WHEN SPECIFIED.
4. ACTUAL NUMBER OF INTERNAL PARALLEL CIRCUITS MAY VARY.
5. LEAD COLORS ARE OPTIONAL. LEADS MUST BE NUMBERED AS SHOWN.

CD0006

REV. DESC: ADD CLASS CONN00000007		
REV. LTR: E	VERSION: 01	TDR: 000001099922
FILE: \AAA\00005\141	REVISED: 10:24:49 02/19/2019	BY: ENBRIRO
MTL: -	© □	

BALDOR - RELIANCE®

3PH, SV, 3 LEADS, WYE OR DELTA CONNECTED

SH 1 of 1