



Customer information packet

EM2513T-8

15HP, 1770RPM, 3PH, 60HZ, 254T, 3948M, OPSB, F1

Class - None

Division - Not Applicable

Specifications

Enclosure	OPSB
Frame	254T
Frame Material	Steel
Frequency	60.00 Hz
Haz Area Class and Group	None
Haz Area Division	Not Applicable
Motor Letter Type	Three Phase
Output @ Frequency	15.000 HP @ 60 HZ
Phase	3
Synchronous Speed @ Frequency	1800 RPM @ 60 HZ
Voltage @ Frequency	200.0 V @ 60 HZ
Agency Approvals	CSA EEV UR NEMA_PREMIUM NEMA PREMIUM
Ambient Temperature	40 °C
Auxiliary Box	NO AUXILLARY BOX
Auxiliary Box Lead Termination	None
Base Indicator	Rigid
Bearing Grease Type	Polyrex EM (-20F +300F)
Blower	None
Current @ Voltage	41.000 A @ 200.0 V 40.000 A @ 208.0 V
Design Code	A
Drip Cover	No Drip Cover
Duty Rating	CONT
Efficiency @ 100% Load	93.0 %
Electrically Isolated Bearing	Not Electrically Isolated
Feedback Device	NO FEEDBACK
Front Shaft Indicator	None
Heater Indicator	No Heater
High Voltage Full Load Amps	41.0 a

Part detail

Revision	J
Type	AC
Mech. spec.	39K57
Base	
Status	PRD/A
Elec. spec.	39WGY441
Layout	39LYK057
Eff. date	12-12-2025
CD Diagram	CD0006
Poles	04
Leads	3#8
Proprietary	False
Created date	01-05-2021

Insulation Class	F
Inverter Code	Inverter Ready
IP Rating	NONE
KVA Code	H
Lifting Lugs	Standard Lifting Lugs
Locked Bearing Indicator	No Locked Bearing
Motor Lead Quantity/Wire Size	3 @ 8 AWG
Motor Lead Termination	Flying Leads
Motor Standards	NEMA
Motor Type	3948M
Mounting Arrangement	F1
Number of Poles	4
Overall Length	23.19 IN
Power Factor	85
Product Family	General Purpose
Pulley End Bearing Type	Ball
Pulley Face Code	Standard
Pulley Shaft Indicator	Standard
Rodent Screen	None
Service Factor	1.15
Shaft Diameter	1.625 IN
Shaft Ground Indicator	No Shaft Grounding
Shaft Rotation	Reversible
Shaft Slinger Indicator	No Slinger
Speed	1770 rpm
Speed Code	Single Speed
Starting Method	Direct on line
Thermal Device - Bearing	None
Thermal Device - Winding	None
Vibration Sensor Indicator	No Vibration Sensor
Winding Thermal 1	None
Winding Thermal 2	None

Nameplate

NP3553L									
CAT.NO.	EM2513T-8								
SPEC	39K057Y441								
HP	15								
VOLTS	200								
AMPS	41								
RPM	1770								
FRAME	254T		HZ	60		PH	3		
SF	1.15	CODE	H	DES	A	CLASS	F		
NEMA NOM. EFF	93	PF	85						
RATING	40C AMB-CONT								
CC	010A								
ENCL	OPSB	SER							
DE	6309	ODE	6208						
VPWM INVERTER READY									
CT30-60(2:1) VT3-60(20:1)									

Accessories

Part number	Description	Multiplier
39-3400	C FACE KIT	A8

AC Induction Motor Performance Data

Record # 86060

Preliminary Data Sheet

Winding: 39WGY441-R001		Type: 3948M		Enclosure: OPSB	
Nameplate Data			200 V, 60 Hz: Single Voltage Motor		
Rated Output (HP)	15	Full Load Torque	44.5 LB-FT		
Volts	200	Start Configuration	direct on line		
Full Load Amps	41	Breakdown Torque	151 LB-FT		
R.P.M.	1770	Pull-up Torque	61.8 LB-FT		
Hz	60	Phase	3	Locked-rotor Torque	80.6 LB-FT
NEMA Design Code	A	KVA Code	H	Starting Current	279 A
Service Factor (S.F.)	1.15	No-load Current	15.2 A		
NEMA Nom. Eff.	93	Power Factor	85	Line-line Res. @ 25°C	0.122 Ω
Rating - Duty	40C AMB-CONT		Temp. Rise @ Rated Load	24°C	
S.F. Amps	46.5	Temp. Rise @ S.F. Load	31°C		
		Locked-rotor Power Factor	37.9		
		Rotor inertia	2.1 lb-ft ²		

Load Characteristics 200 V, 60 Hz, 15 HP

% of Rated Load	25	50	75	100	125	150	S.F.
Power Factor	50	72	81	85	87	87	86
Efficiency	89.8	93	93.4	93	92.2	91.2	92.6
Speed	1793	1787	1779	1771	1763	1753	1766
Line amperes	18.1	24.1	32	40.8	50.3	60.8	46.5

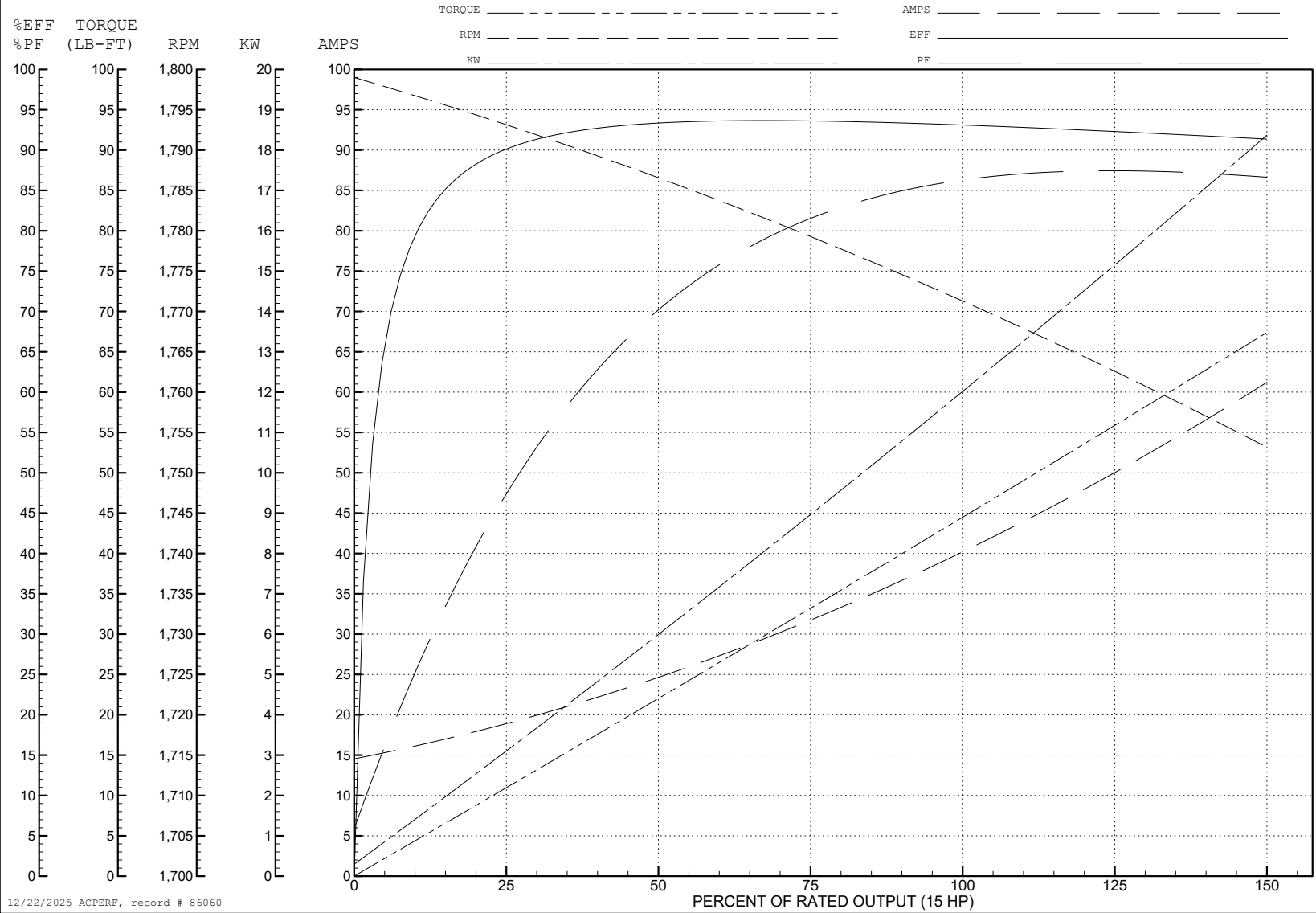
ABB Motors and Mechanical Inc.

WINDING # 39WGY441

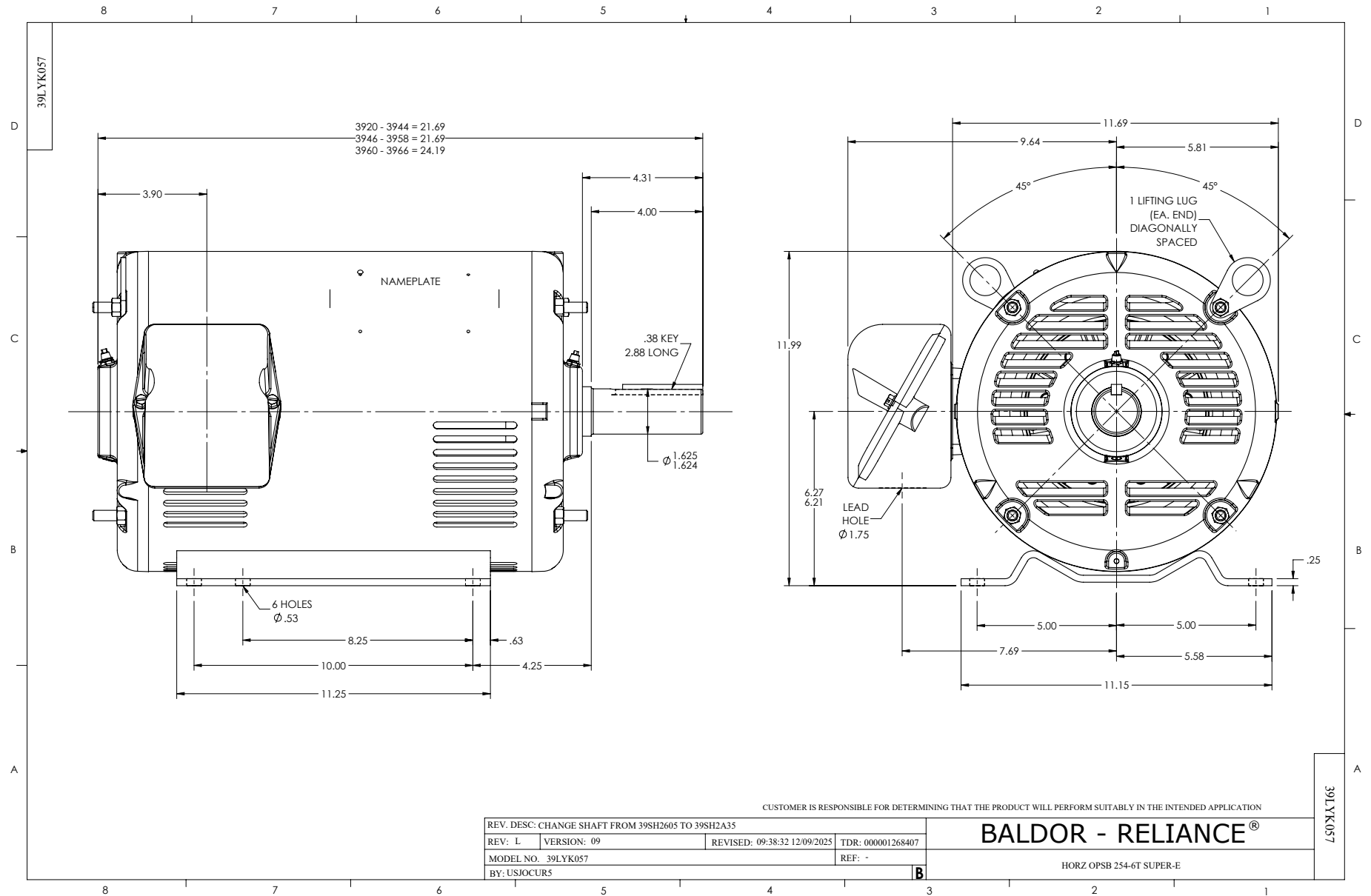
Typical performance - not guaranteed values.

15 HP 3 PH 60 HZ 1770 RPM 200 V 3948M

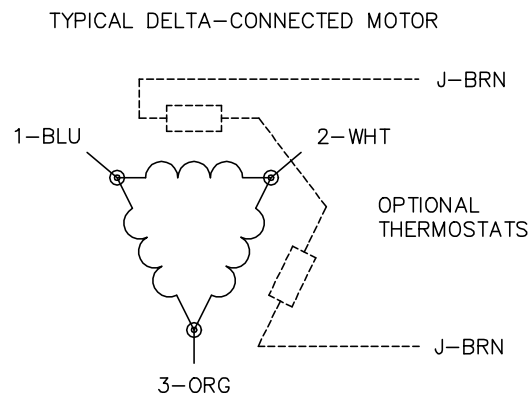
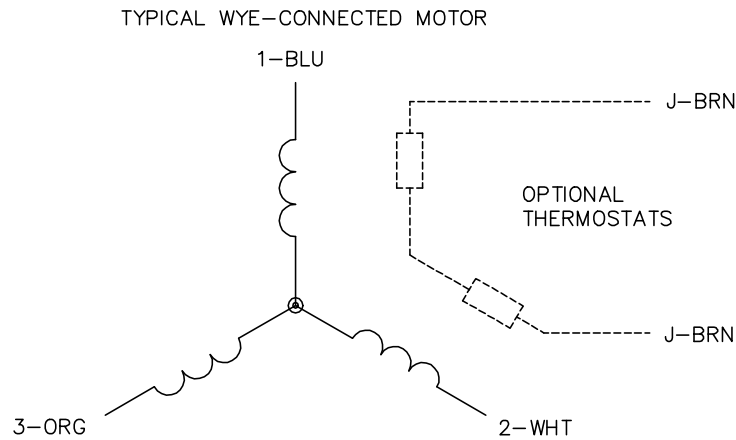
TORQUES (LB-FT): PO=151 PU=61.8 LR=80.6 LRA=279



12/22/2025 ACPERF, record # 86060



CD0006



NOTES:

1. THREE LEAD MOTOR MAY BE EITHER WYE CONNECTED OR DELTA CONNECTED.
2. INTERCHANGE ANY TWO LINE LEADS TO REVERSE ROTATION.
3. OPTIONAL THERMOSTATS ARE PROVIDED WHEN SPECIFIED.
4. ACTUAL NUMBER OF INTERNAL PARALLEL CIRCUITS MAY VARY.
5. LEAD COLORS ARE OPTIONAL. LEADS MUST BE NUMBERED AS SHOWN.

CD0006

REV. DESC: ADD CLASS CONN00000007		
REV. LTR: E	VERSION: 01	TDR: 000001099922
FILE: \AAA\00005\141	REVISED: 10:24:49 02/19/2019	BY: ENBRIRO
MTL: -		© □

BALDOR - RELIANCE®

3PH, SV, 3 LEADS, WYE OR DELTA CONNECTED

SH 1 of 1