



Customer information packet

ECS101M0H5EC4

5HP, 1800RPM, 3PH, 60HZ, 184TC, 3632B, TEFC, F1

Class - None

Division - Not Applicable

Specifications

Enclosure	TEFC
Frame	184TC
Frame Material	Steel
Frequency	60.00 Hz
Haz Area Class and Group	None
Haz Area Division	Not Applicable
Motor Letter Type	Three Phase
Output @ Frequency	5.000 HP @ 60 HZ
Phase	3
Synchronous Speed @ Frequency	1800 RPM @ 60 HZ
Voltage @ Frequency	230.0 V @ 60 HZ 460.0 V @ 60 HZ
Agency Approvals	UL WEEE
Ambient Temperature	40 °C
Auxiliary Box	NO AUXILLARY BOX
Auxiliary Box Lead Termination	None
Base Indicator	No Mounting
Bearing Grease Type	Polyrex EM (-20F +300F)
Blower	None
Constant Torque Speed Range	6
Current @ Voltage	10.500 A @ 230.0 V 5.300 A @ 460.0 V
Drip Cover	No Drip Cover
Duty Rating	CONT
Efficiency @ 100% Load	93.7 %
Electrically Isolated Bearing	Not Electrically Isolated
Feedback Device	NO FEEDBACK
Heater Indicator	No Heater
High Voltage Full Load Amps	5.3 a
Insulation Class	F
Inverter Code	Inverter Duty

Part detail

Revision	K
Type	AC
Mech. spec.	
Base	
Status	PRD/A
Elec. spec.	36WGA0020
Layout	36LYT291
Eff. date	06-16-2025
CD Diagram	CD0005A25
Poles	04
Leads	9#12
Proprietary	False
Created date	09-28-2020

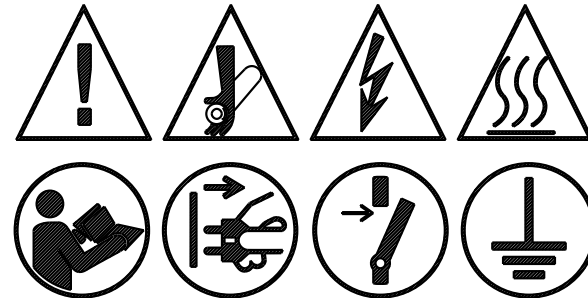
IP Rating	NONE
Lifting Lugs	Standard Lifting Lugs
Locked Bearing Indicator	Locked Bearing
Motor Lead Termination	Flying Leads
Motor Standards	NEMA
Motor Type	3632B
Mounting Arrangement	F1
Number of Poles	4
Overall Length	16.54 IN
Power Factor	97
Product Family	General Purpose
Pulley Face Code	C-Face
Rodent Screen	None
Service Factor	1.50
Shaft Diameter	1.125 IN
Shaft Ground Indicator	Shaft Grounding
Shaft Rotation	Reversible
Speed	1800 rpm
Speed Code	Single Speed
Starting Method	Direct on line
Thermal Device - Bearing	None
Thermal Device - Winding	None
Vibration Sensor Indicator	No Vibration Sensor
Winding Thermal 1	None
Winding Thermal 2	None

BALDOR • RELIANCE

EC-Titanium™

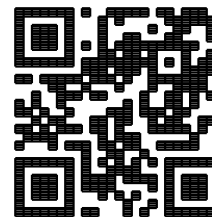
CAT. NO.	ECS101M0H5EC4										
SPEC.	36-0001738							YR	***		
FRAME	184TC			ENCL.	TEFC		IP	54			
HP	5		RATING	40C AMB-CONT							
NOM. EFF.	93.7		PF	97		SF	1.5				
VOLTS	230/460			FLA	10.5/5.3						
RPM	1800		RPM MAX	4000							
HZ	60		PH.	3		CLASS	F				
BEMF (V)	126/252			R _s (Ω)	0.82/3.30						
Ld (mH)	13.5/54.0			Lq (mH)	47.8/191.0						
INV TYP	VPWM	CHP	60	TO	133		HZ				
	CT	6	TO	60 HZ	VT	1	TO	133 HZ			
MATCHED INV	-										
BEARING	DE	6206			ODE	6205					
SERIAL#	***										

FERRITE ASSISTED
SYNCHRONOUS RELUCTANCE MOTOR
FOR INVERTER USE ONLY



PERMANENT MAGNET MOTOR. WHEN SHAFT IS ROTATED, VOLTAGE WILL BE GENERATED AT THE MOTOR TERMINALS.
MOTEUR À AIMANT PERMANENT. LORSQUE L'ARBRE TOURNE, UNE TENSION SERA GÉNÉRÉE AUX BORNES DU MOTEUR.

BALDOR-RELIANCE
SHAFT GROUNDING BRUSH INSTALLED

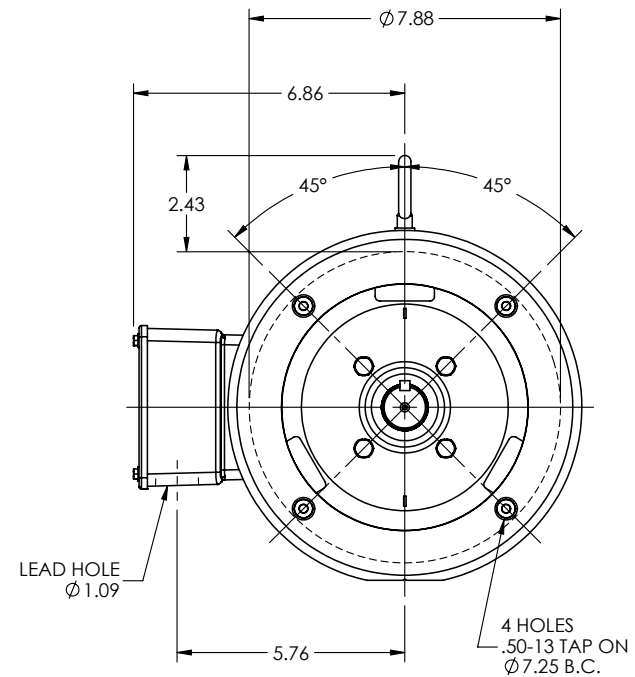
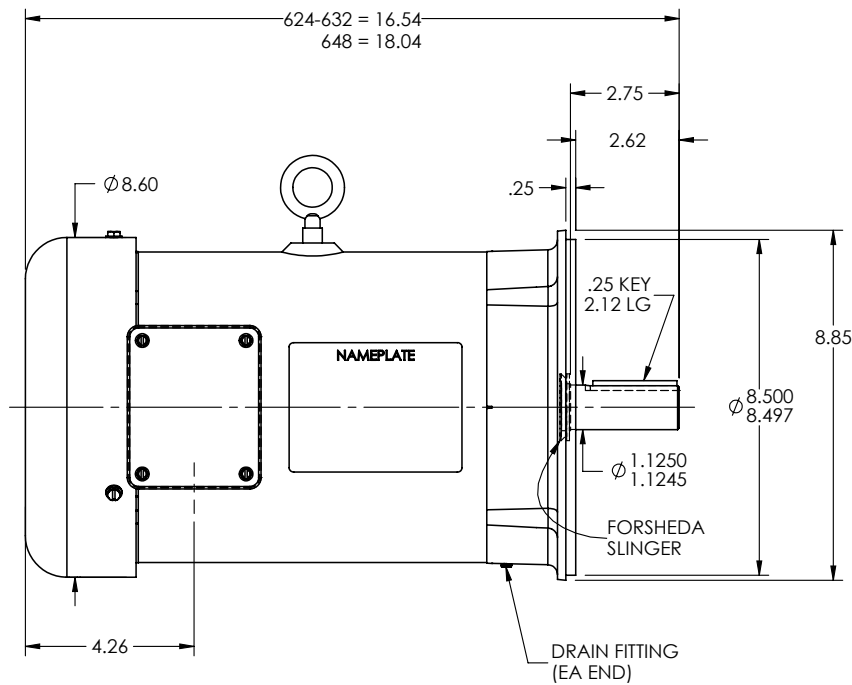


ELECTRIC MOTOR FOR INDUSTRIAL USE



ABB MOTORS AND MECHANICAL INC.
5711 R.S. BOREHAM JR. ST., FORT SMITH, AR. MFG IN U.S.A.

36LYT291



CUSTOMER IS RESPONSIBLE FOR DETERMINING THAT ABB'S PRODUCT WILL PERFORM SUITABLY IN THE INTENDED APPLICATION

REV. DESC: UPDATE DRAWING GRAPHICS

REV: A	VERSION: 01	REVISED: 10:42:36 03/21/2022	TDR: 000001187699
--------	-------------	------------------------------	-------------------



MODEL NO. 36LYT291

REF: -

BY: ENJEFD0

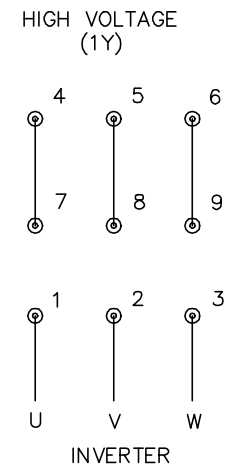
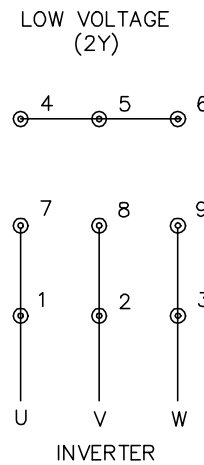
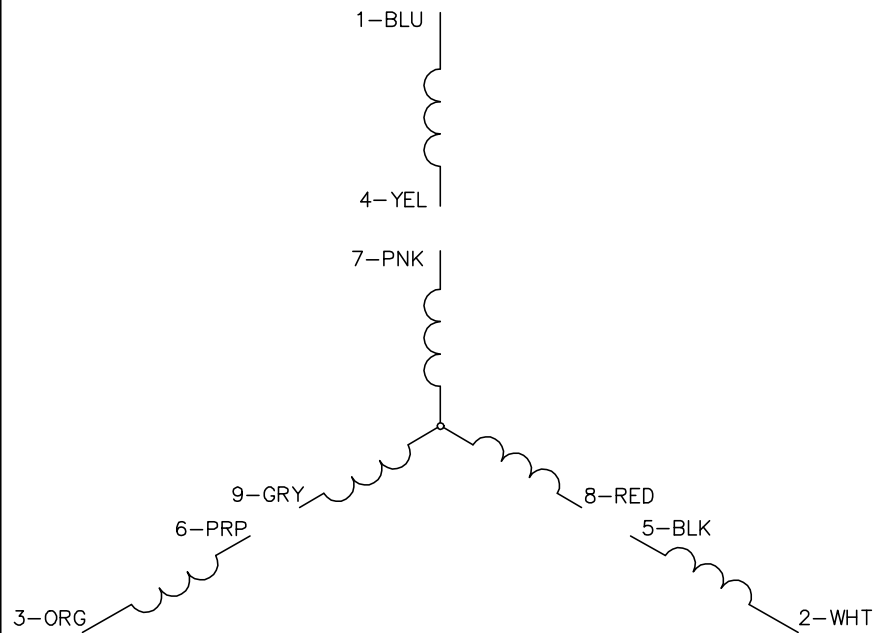
Material: -

BALDOR

VER 182-4TC TEFC B EYEBOLT INT SH GND ECS

36LYT291

CD0005A25



NOTES:

1. INTERCHANGE ANY TWO LINE LEADS TO REVERSE ROTATION.
2. ACTUAL NUMBER OF INTERNAL PARALLEL CIRCUITS MAY BE A MULTIPLE OF THOSE SHOWN ABOVE.
3. LEAD COLORS ARE OPTIONAL. LEADS MUST ALWAYS BE NUMBERED AS SHOWN.

CD0005A25

REV. DESC: NEW		
REV. LTR: -	VERSION: 00	TDR: 000001135746
FILE: \AAA\00253\082	REVISED: 01:10:57 03/30/2020	BY: ENMARSO
MTL: -	© □	

BALDOR - RELIANCE®

3PH, DV, 9 LEADS, ECS
SH 1 of 1