

BALDOR • RELIANCE

Customer information packet

DRX14124T-5

1HP, 3450RPM, 3PH, 60HZ, 143T, XPFC, F1

Class - CLI GP C,D

Division - Division I

Copyright © All product information within this document is subject to ABB Motors and Mechanical Inc. copyright © protection, unless otherwise noted.

12/23/2025 12:40:21 AM

Specifications

Enclosure	XPFC
Frame	143T
Frame Material	Steel
Frequency	60.00 Hz
Haz Area Class and Group	CLI GP C,D
Haz Area Division	Division I
Motor Letter Type	Three Phase
Output @ Frequency	1.000 HP @ 60 HZ
Phase	3
Synchronous Speed @ Frequency	3600 RPM @ 60 HZ
Voltage @ Frequency	575.0 V @ 60 HZ
Agency Approvals	CSA EEV UL
Ambient Temperature	40 °C
Auxiliary Box	NO AUXILLARY BOX
Auxiliary Box Lead Termination	None
Base Indicator	Rigid
Bearing Grease Type	Polyrex EM (-20F +300F)
Blower	None
Constant Torque Speed Range	6
Current @ Voltage	1.100 A @ 575.0 V
Design Code	B
Drip Cover	No Drip Cover
Duty Rating	CONT
Efficiency @ 100% Load	84.0 %
Electrically Isolated Bearing	Not Electrically Isolated
Feedback Device	NO FEEDBACK
Haz Area Temp Code	T3C
Heater Indicator	No Heater
High Voltage Full Load Amps	1.1 a
Insulation Class	F
Inverter Code	Inverter Duty

Part detail

Revision	A
Type	AC
Mech. spec.	
Base	
Status	PRD/A
Elec. spec.	35WGT463
Layout	35LYX081
Eff. date	06-15-2020
CD Diagram	CD0006
Poles	02
Leads	3#18
Proprietary	False
Created date	07-16-2019

IP Rating	NONE
KVA Code	L
Lifting Lugs	No Lifting Lugs
Locked Bearing Indicator	Locked Bearing
Max Speed	5400 rpm
Motor Lead Termination	Flying Leads
Motor Standards	NEMA
Motor Type	3516M
Mounting Arrangement	F1
Number of Poles	2
Overall Length	14.22 IN
Power Factor	82
Product Family	General Purpose
Pulley Face Code	Standard
Rodent Screen	None
RoHS Status	ROHS NON-COMPLIANT
Service Factor	1.00
Shaft Diameter	0.875 IN
Shaft Ground Indicator	No Shaft Grounding
Shaft Rotation	Reversible
Speed	3450 rpm
Speed Code	Single Speed
Starting Method	Direct on line
Thermal Device - Bearing	None
Thermal Device - Winding	Normally Closed Thermostat
Vibration Sensor Indicator	No Vibration Sensor
Winding Thermal 1	None
Winding Thermal 2	None

Nameplate

NP1401XPSLEV										
NO.		CC	010A							
S/N		TEMP CODE	T3C							
SPEC.	35-0000-0261		INV.TYPE	PWM						
CAT.NO.	DRX14124T-5		C HP FR	60	C HP TO	90				
HP	1		CT HZ FROM	6	CT HZ TO	60				
VOLTS	575		VT HZ FROM	6	VT HZ TO	60				
AMPS	1.1		MAG CUR	.55						
RPM	3450		MX RPM	5400						
HZ	60	PH	3	CL	F	NOM.EFF.	84			
SER.F.	1.00	DES	B	SL HZ	2	WK2	0.036			
FRAME	143T	RATING	40C AMB-CONT							
	55C AMB @ 1.0SF									
	1.15 SF SINEWAVE		NEMA MG-1 PT	5,IP55						

AC Induction Motor Performance Data

Record # 77516

Typical performance - not guaranteed values

Winding: 35WGT463-R027		Type: 3516M		Enclosure: XPFC	
Nameplate Data			575 V, 60 Hz: Single Voltage Motor		
Rated Output (HP)		1	Full Load Torque		1.5 LB-FT
Volts		575	Start Configuration		direct on line
Full Load Amps		1.1	Breakdown Torque		6.5 LB-FT
R.P.M.		3450	Pull-up Torque		4.8 LB-FT
Hz	60 Phase	3	Locked-rotor Torque		5.7 LB-FT
NEMA Design Code	B KVA Code	L	Starting Current		9.7 A
Service Factor (S.F.)		1	No-load Current		0.54 A
NEMA Nom. Eff.	84 Power Factor	82	Line-line Res. @ 25°C		24.1 Ω
Rating - Duty		40C AMB-CONT	Temp. Rise @ Rated Load		43°C
S.F. Amps			Temp. Rise @ S.F. Load		50°C
			Locked-rotor Power Factor		56.5
			Rotor inertia		0.0443 LB-FT ²

Load Characteristics 575 V, 60 Hz, 1 HP

% of Rated Load	25	50	75	100	125	150
Power Factor	45	65	77	83	87	87
Efficiency	70.3	80.5	83.9	84.6	84.6	83.7
Speed	3567	3539	3510	3479	3446	3410
Line amperes	0.6	0.72	0.87	1.06	1.25	1.5

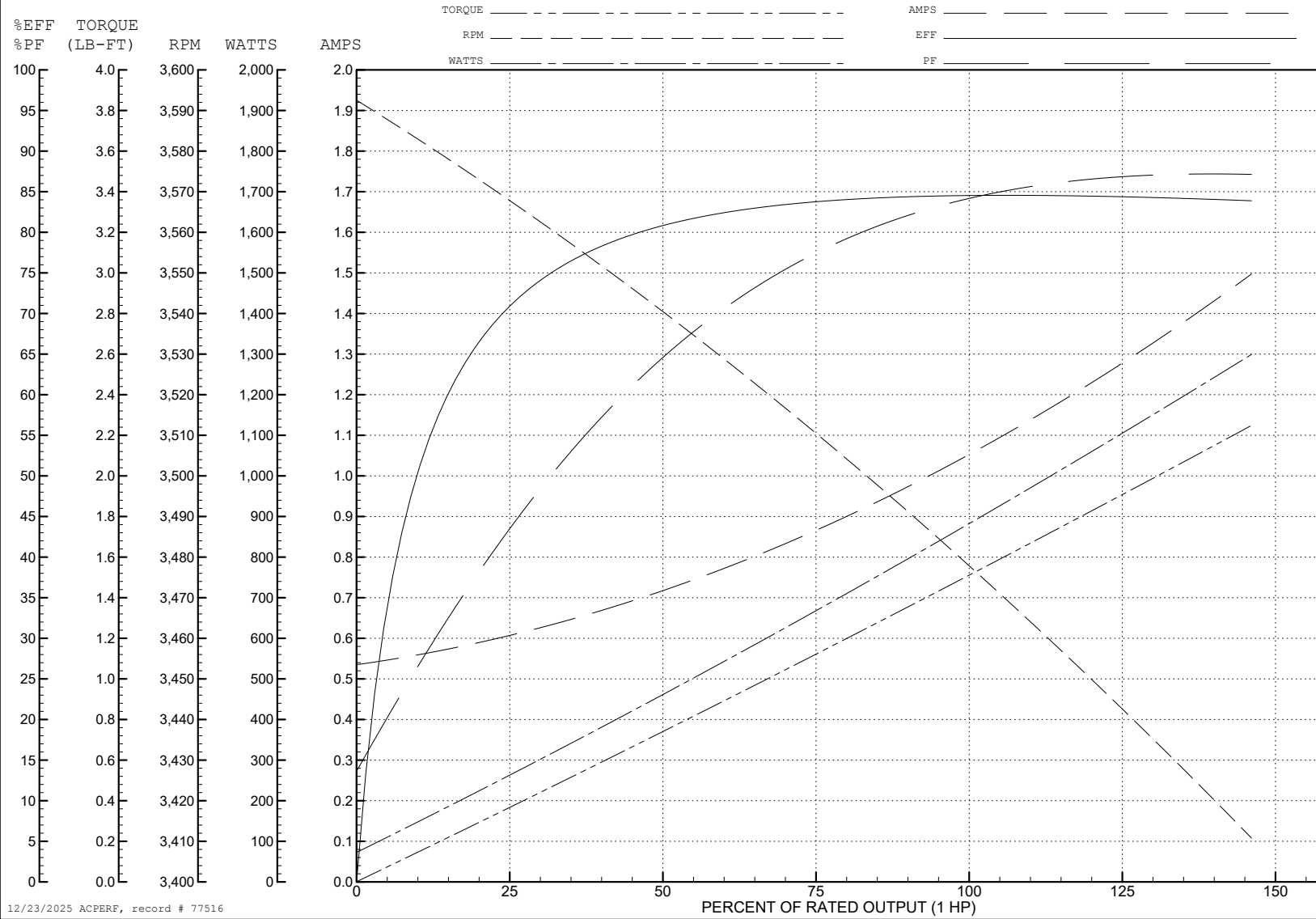
ABB Motors and Mechanical Inc.

WINDING # 35WGT463

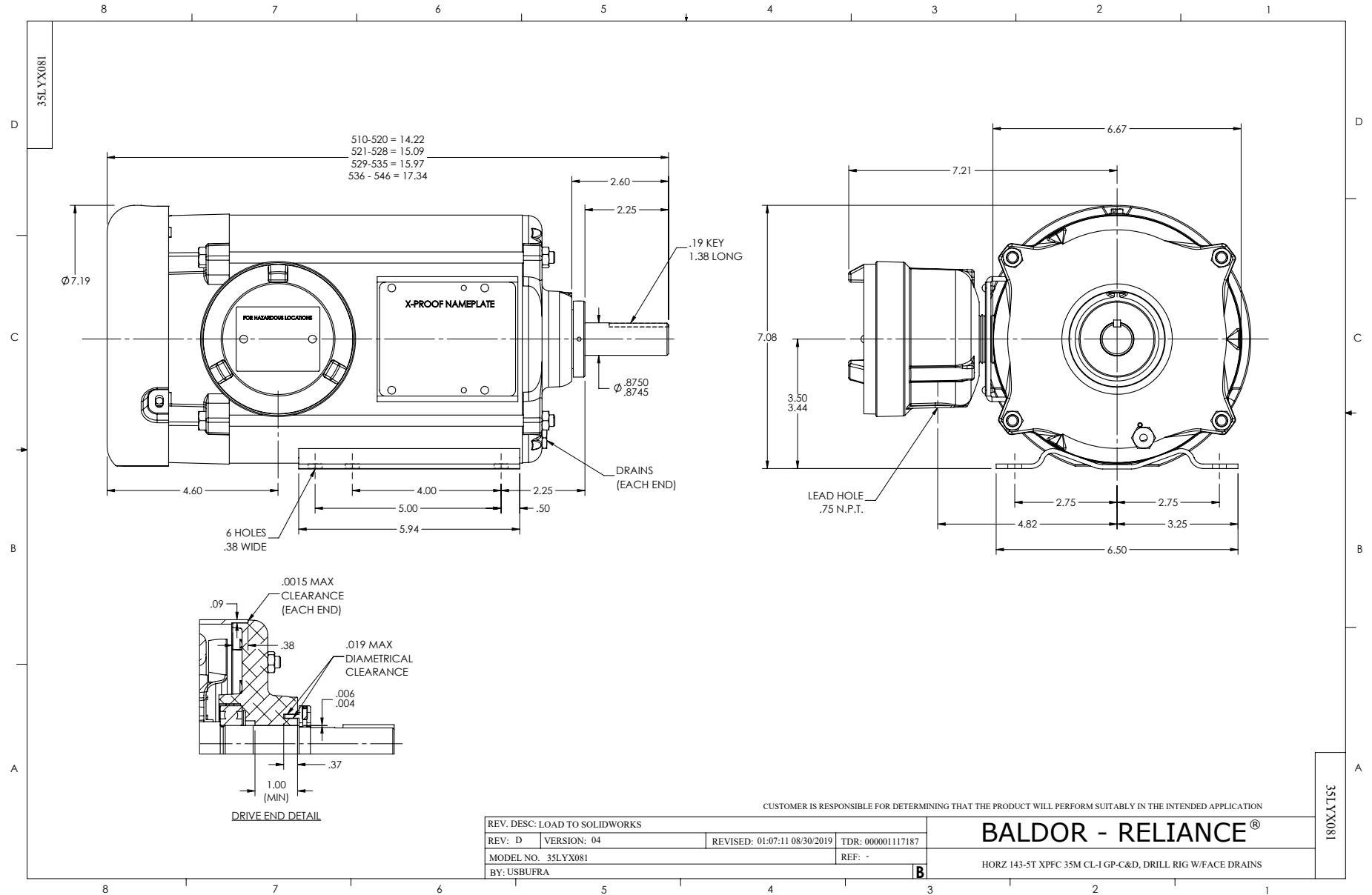
Typical performance - not guaranteed values.

1 HP 3 PH 60 HZ 3450 RPM 575 V 3516M

TORQUES (LB-FT): PO=6.5 PU=4.8 LR=5.7 LRA=9.7



12/23/2025 ACPERF, record # 77516



CD0006



NOTES:

1. THREE LEAD MOTOR MAY BE EITHER WYE CONNECTED OR DELTA CONNECTED.
2. INTERCHANGE ANY TWO LINE LEADS TO REVERSE ROTATION.
3. OPTIONAL THERMOSTATS ARE PROVIDED WHEN SPECIFIED.
4. ACTUAL NUMBER OF INTERNAL PARALLEL CIRCUITS MAY VARY.
5. LEAD COLORS ARE OPTIONAL. LEADS MUST BE NUMBERED AS SHOWN.

CD0006

REV. DESC: ADD CLASS CONN00000007		
REV. LTR: E	VERSION: 01	TDR: 000001099922
FILE: \AAA\00005\141	REVISED: 10:24:49 02/19/2019	BY: ENBRIRO
MTL: -		© □

BALDOR - RELIANCE®

3PH, SV, 3 LEADS, WYE OR DELTA CONNECTED

SH 1 of 1