



---

# Customer information packet

## CEM2506T-G

7.5HP, 1180RPM, 3PH, 60HZ, 254TC, OPSB, F1

Class - None

Division - Not Applicable

## Specifications

Enclosure	OPSB
Frame	254TC
Frame Material	Steel
Frequency	60.00 Hz
Haz Area Class and Group	None
Haz Area Division	Not Applicable
Motor Letter Type	Three Phase
Output @ Frequency	7.500 HP @ 60 HZ
Phase	3
Synchronous Speed @ Frequency	1200 RPM @ 60 HZ
Voltage @ Frequency	230.0 V @ 60 HZ 460.0 V @ 60 HZ
Agency Approvals	CSA CSA EEV NEMA PREMIUM UR
Ambient Temperature	40 °C
Auxiliary Box	NO AUXILLARY BOX
Auxiliary Box Lead Termination	None
Base Indicator	Rigid
Bearing Grease Type	Polyrex EM (-20F +300F)
Blower	None
Current @ Voltage	22.400 A @ 230.0 V 11.000 A @ 460.0 V
Design Code	A
Drip Cover	No Drip Cover
Duty Rating	CONT
Efficiency @ 100% Load	90.2 %
Electrically Isolated Bearing	Not Electrically Isolated
Feedback Device	NO FEEDBACK
Heater Indicator	No Heater
High Voltage Full Load Amps	11.0 a

## Part detail

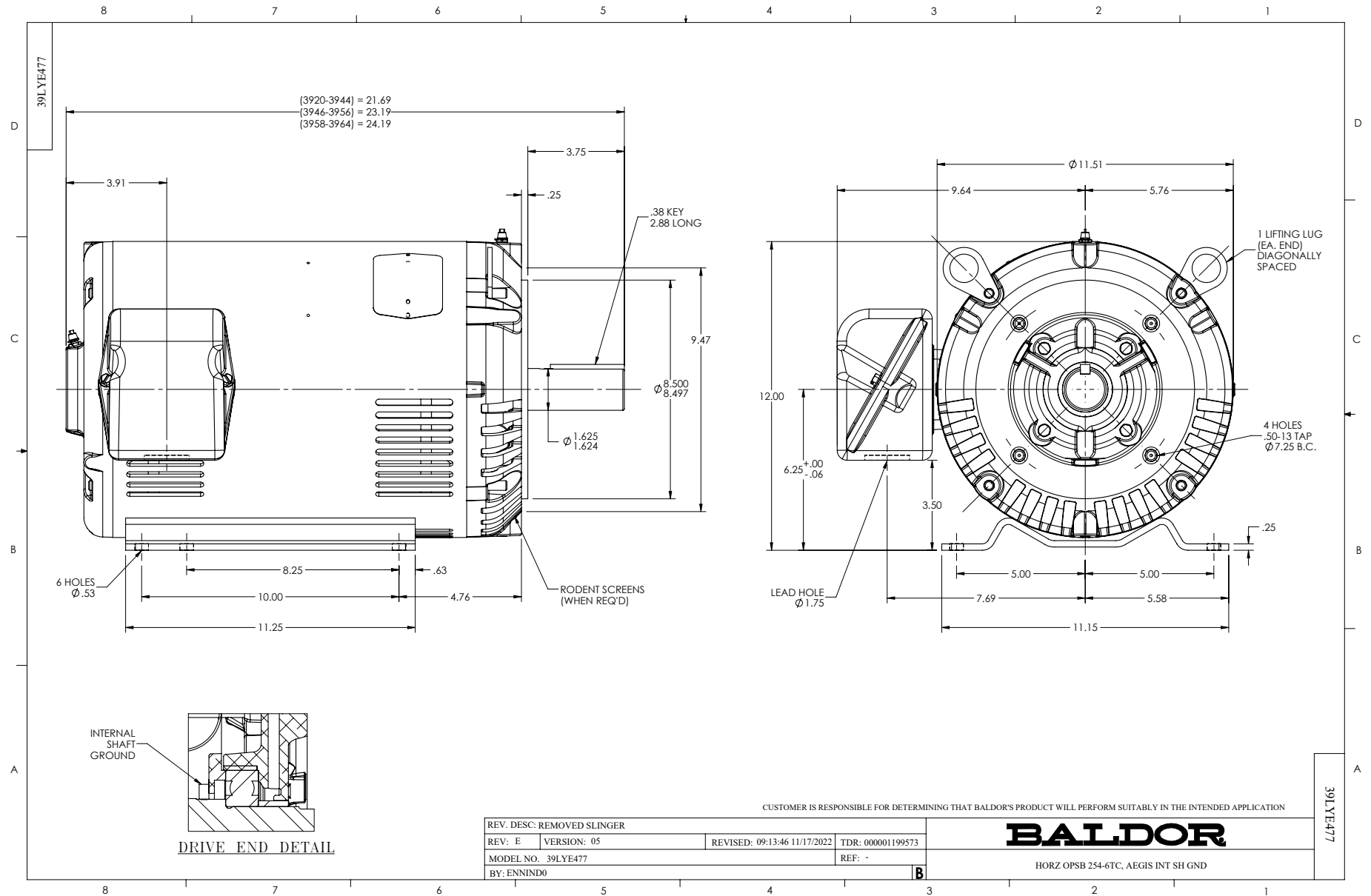
Revision	J
Type	AC
Mech. spec.	
Base	
Status	PRD/A
Elec. spec.	39WGX747
Layout	39LYE477
Eff. date	06-11-2024
CD Diagram	CD0180
Poles	06
Leads	9#12
Proprietary	False
Created date	02-20-2020

<b>Insulation Class</b>	H
<b>Inverter Code</b>	Inverter Ready
<b>IP Rating</b>	NONE
<b>KVA Code</b>	H
<b>Lifting Lugs</b>	Standard Lifting Lugs
<b>Locked Bearing Indicator</b>	Locked Bearing
<b>Motor Lead Termination</b>	Flying Leads
<b>Motor Standards</b>	NEMA
<b>Motor Type</b>	3950M
<b>Mounting Arrangement</b>	F1
<b>Number of Poles</b>	6
<b>Overall Length</b>	23.19 IN
<b>Power Factor</b>	70
<b>Product Family</b>	General Purpose
<b>Pulley Face Code</b>	C-Face
<b>Rodent Screen</b>	None
<b>Service Factor</b>	1.15
<b>Shaft Diameter</b>	1.625 IN
<b>Shaft Ground Indicator</b>	Shaft Grounding
<b>Shaft Rotation</b>	Reversible
<b>Speed</b>	1180 rpm
<b>Speed Code</b>	Single Speed
<b>Starting Method</b>	Direct on line
<b>Thermal Device - Bearing</b>	None
<b>Thermal Device - Winding</b>	None
<b>Vibration Sensor Indicator</b>	No Vibration Sensor
<b>Winding Thermal 1</b>	None
<b>Winding Thermal 2</b>	None

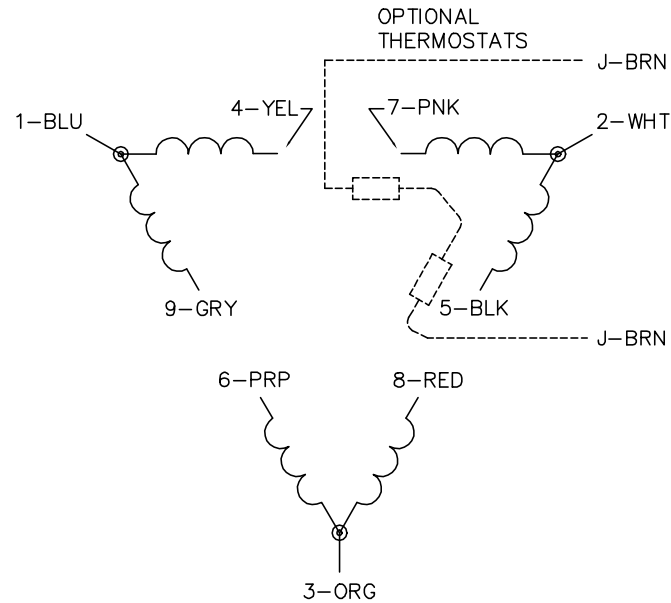
**Nameplate**

**NP3553LUA**

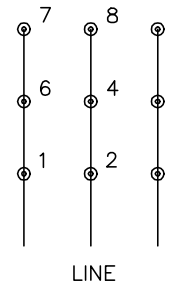
<b>CAT.NO.</b>	CEM2506T-G						
<b>SPEC.</b>	39-0000-0266						
<b>HP</b>	7.5						
<b>VOLTS</b>	230/460						
<b>AMPS</b>	22.4/11						
<b>RPM</b>	1180						
<b>FRAME</b>	254TC	<b>HZ</b>	60	<b>PH</b>	3		
<b>SF</b>	1.15	<b>CODE</b>	H	<b>DES</b>	A	<b>CLASS</b>	H
<b>NEMA NOM. EFF</b>	90.2	<b>PF</b>	70				
<b>RATING</b>	40C AMB-CONT						
<b>CC</b>	010A						
<b>ENCL</b>	OPSB	<b>SN</b>					
<b>DE</b>	6309	<b>ODE</b>	6208				
<b>VPWM INVERTER READY</b>							
<b>CT30-60(2:1) VT3-60(20:1)</b>							
<b>USABLE AT</b>	50HZ 7.5HP 190/380V 26.4/13.2A						SF1.0



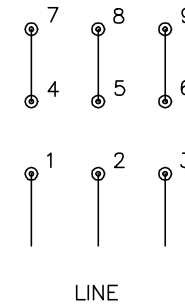
CD0180



LOW VOLTAGE  
(2D)



HIGH VOLTAGE  
(1D)



**NOTES:**

1. INTERCHANGE ANY TWO LINE LEADS TO REVERSE ROTATION.
2. OPTIONAL THERMOSTATS ARE PROVIDED WHEN SPECIFIED.
3. ACTUAL NUMBER OF INTERNAL PARALLEL CIRCUITS MAY BE A MULTIPLE OF THOSE SHOWN ABOVE.
4. LEAD COLORS ARE OPTIONAL. LEADS MUST ALWAYS BE NUMBERED AS SHOWN.

CD0180

REV. DESC: ADD CLASS CONN00000007		
REV. LTR: D	VERSION: 01	TDR: 000001099922
FILE: \AAA\00005\148	REVISED: 10: 25: 29 02/19/2019	BY: ENBRIRO
MTL: -	© □	

**BALDOR - RELIANCE®**

3PH, DV, 9 LEADS, DELTA CONNECTION

SH 1 of 1