

**BALDOR • RELIANCE**

---

# Customer information packet

## CDRX32544T-5

50HP, 1775RPM, 3PH, 60HZ, 326TC, XPFC, F1

Class - CLI GP C,D

Division - Division I

Copyright © All product information within this document is subject to ABB Motors and Mechanical Inc. copyright © protection, unless otherwise noted.

12/23/2025 12:39:25 AM

## Specifications

Enclosure	XPFC
Frame	326TC
Frame Material	Iron
Frequency	60.00 Hz
Haz Area Class and Group	CLI GP C,D
Haz Area Division	Division I
Motor Letter Type	Three Phase
Output @ Frequency	50.000 HP @ 60 HZ
Phase	3
Synchronous Speed @ Frequency	1800 RPM @ 60 HZ
Voltage @ Frequency	575.0 V @ 60 HZ
Agency Approvals	CSA EEV UL
Ambient Temperature	40 °C
Auxiliary Box	NO AUXILLARY BOX
Auxiliary Box Lead Termination	None
Base Indicator	Rigid
Bearing Grease Type	Polyrex EM (-20F +300F)
Blower	None
Constant Torque Speed Range	6
Current @ Voltage	47.000 A @ 575.0 V
Design Code	A
Drip Cover	No Drip Cover
Duty Rating	CONT
Efficiency @ 100% Load	94.5 %
Electrically Isolated Bearing	Not Electrically Isolated
Feedback Device	NO FEEDBACK
Haz Area Temp Code	T3C
Heater Indicator	No Heater
High Voltage Full Load Amps	47.0 a
Insulation Class	F
Inverter Code	Inverter Duty

## Part detail

Revision	G
Type	AC
Mech. spec.	
Base	
Status	PRD/A
Elec. spec.	12WGY593
Layout	12LYT021
Eff. date	12-10-2024
CD Diagram	CD0006
Poles	04
Leads	3#8
Proprietary	False
Created date	07-24-2019

<b>IP Rating</b>	NONE
<b>KVA Code</b>	J
<b>Lifting Lugs</b>	Standard Lifting Lugs
<b>Locked Bearing Indicator</b>	Locked Bearing
<b>Max Speed</b>	2700 rpm
<b>Motor Lead Termination</b>	Flying Leads
<b>Motor Standards</b>	NEMA
<b>Motor Type</b>	1276M
<b>Mounting Arrangement</b>	F1
<b>Number of Poles</b>	4
<b>Overall Length</b>	32.00 IN
<b>Power Factor</b>	84
<b>Product Family</b>	Hazardous Location Motor
<b>Pulley Face Code</b>	C-Face
<b>Rodent Screen</b>	None
<b>RoHS Status</b>	ROHS NON-COMPLIANT
<b>Service Factor</b>	1.00
<b>Shaft Diameter</b>	2.125 IN
<b>Shaft Ground Indicator</b>	No Shaft Grounding
<b>Shaft Rotation</b>	Reversible
<b>Speed</b>	1775 rpm
<b>Speed Code</b>	Single Speed
<b>Starting Method</b>	Direct on line
<b>Thermal Device - Bearing</b>	None
<b>Thermal Device - Winding</b>	Normally Closed Thermostat
<b>Vibration Sensor Indicator</b>	No Vibration Sensor
<b>Winding Thermal 1</b>	None
<b>Winding Thermal 2</b>	None

**Nameplate**

**NP1401XPSLEV**

<b>NO.</b>		<b>CC</b>	010A				
<b>S/N</b>		<b>TEMP CODE</b>	T3C				
<b>SPEC.</b>	12-0000-0853	<b>INV.TYPE</b>	PWM				
<b>CAT.NO.</b>	CDRX32544T-5	<b>C HP FR</b>	60	<b>C HP TO</b>	90		
<b>HP</b>	50	<b>CT HZ FROM</b>	6	<b>CT HZ TO</b>	60		
<b>VOLTS</b>	575	<b>VT HZ FROM</b>	6	<b>VT HZ TO</b>	60		
<b>AMPS</b>	47	<b>MAG CUR</b>					
<b>RPM</b>	1775	<b>MX RPM</b>	2700				
<b>HZ</b>	60	<b>PH</b>	3	<b>CL</b>	F	<b>NOM.EFF.</b>	94.5
<b>SER.F.</b>	1.00	<b>DES</b>	A	<b>SL HZ</b>	0.83	<b>WK2</b>	10.1
<b>FRAME</b>	326TC	<b>RATING</b>	40C AMB-CONT				
	55C AMB @ 1.0 SF, 60C RISE						
	1.15SF ON SINEWAVE		NEMA MG-1 PT.5,IP55				

**AC Induction Motor Performance Data**

Record # 77585

Typical performance - not guaranteed values

Winding: 12WGY593-R002		Type: 1276M	Enclosure: XPFC
<b>Nameplate Data</b>		<b>575 V, 60 Hz: Single Voltage Motor</b>	
Rated Output (HP)	50	Full Load Torque	148 LB-FT
Volts	575	Start Configuration	direct on line
Full Load Amps	47	Breakdown Torque	560 LB-FT
R.P.M.	1775	Pull-up Torque	235 LB-FT
Hz	60 Phase	Locked-rotor Torque	278 LB-FT
NEMA Design Code	A KVA Code	Starting Current	378 A
Service Factor (S.F.)	1	No-load Current	19.8 A
NEMA Nom. Eff.	94.5 Power Factor	Line-line Res. @ 25°C	0.145 Ω
Rating - Duty	40C AMB-CONT	Temp. Rise @ Rated Load	55°C
S.F. Amps		Temp. Rise @ S.F. Load	66°C
		Locked-rotor Power Factor	26.3
		Rotor inertia	10.1 LB-FT <sup>2</sup>

**Load Characteristics 575 V, 60 Hz, 50 HP**

% of Rated Load	25	50	75	100	125	150
Power Factor	45	68	78	84	86	87
Efficiency	91.1	94.3	94.8	95.2	94.7	94
Speed	1794	1789	1784	1779	1774	1767
Line amperes	22.6	29.3	37.6	47	57.7	68.8

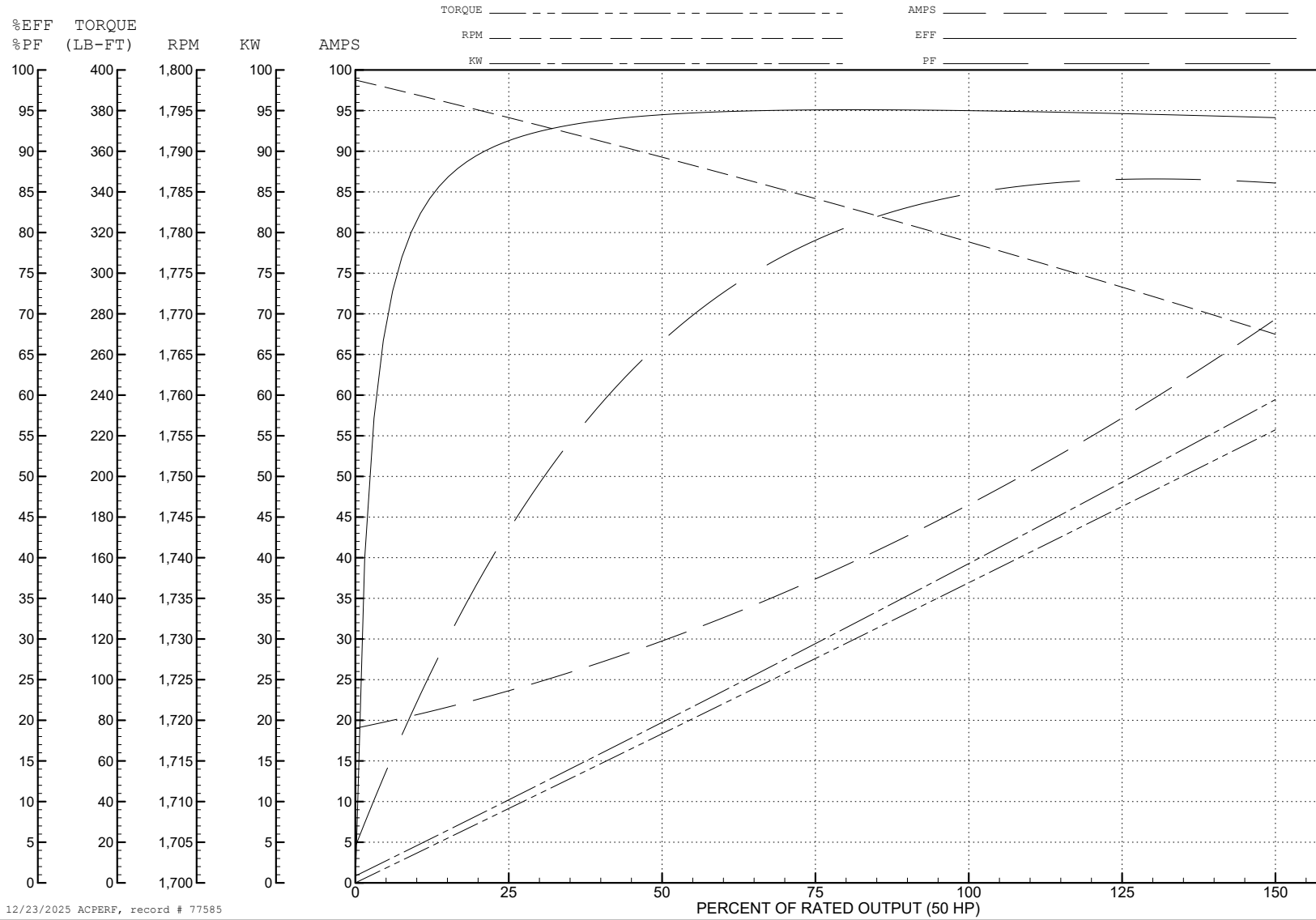
ABB Motors and Mechanical Inc.

WINDING # 12WGY593

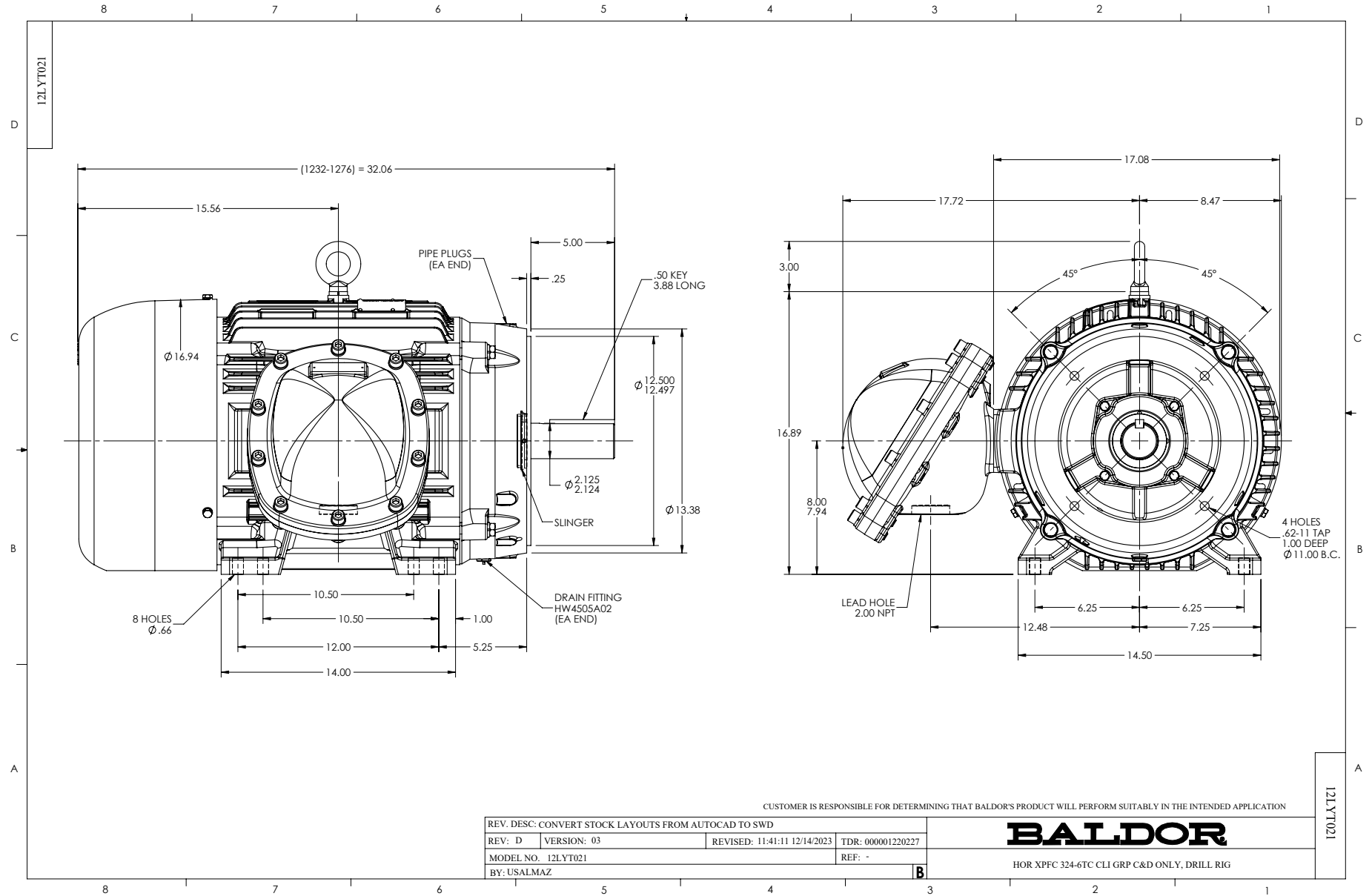
Typical performance - not guaranteed values.

50 HP 3 PH 60 HZ 1775 RPM 575 V 1276M

TORQUES (LB-FT): PO=560 PU=235 LR=278 LRA=378



12/23/2025 ACPERF, record # 77585



CD0006



NOTES:

1. THREE LEAD MOTOR MAY BE EITHER WYE CONNECTED OR DELTA CONNECTED.
2. INTERCHANGE ANY TWO LINE LEADS TO REVERSE ROTATION.
3. OPTIONAL THERMOSTATS ARE PROVIDED WHEN SPECIFIED.
4. ACTUAL NUMBER OF INTERNAL PARALLEL CIRCUITS MAY VARY.
5. LEAD COLORS ARE OPTIONAL. LEADS MUST BE NUMBERED AS SHOWN.

CD0006

REV. DESC: ADD CLASS CONN00000007		
REV. LTR: E	VERSION: 01	TDR: 000001099922
FILE: \AAA\00005\141	REVISED: 10:24:49 02/19/2019	BY: ENBRIRO
MTL: -	© □	

**BALDOR - RELIANCE®**

3PH, SV, 3 LEADS, WYE OR DELTA CONNECTED

SH 1 of 1