



Customer information packet

CDRX25224T-5

20HP, 3530RPM, 3PH, 60HZ, 256TC, XPFC, F1
Class - CLI GP C,D
Division - Division I

Specifications

Enclosure	XPFC
Frame	256TC
Frame Material	Iron
Frequency	60.00 Hz
Haz Area Class and Group	CLI GP C,D
Haz Area Division	Division I
Motor Letter Type	Three Phase
Output @ Frequency	20.000 HP @ 60 HZ
Phase	3
Synchronous Speed @ Frequency	3600 RPM @ 60 HZ
Voltage @ Frequency	575.0 V @ 60 HZ
Agency Approvals	CSA EEV UL
Ambient Temperature	40 °C
Auxiliary Box	NO AUXILLARY BOX
Auxiliary Box Lead Termination	None
Base Indicator	Rigid
Bearing Grease Type	Polyrex EM (-20F +300F)
Blower	None
Constant Torque Speed Range	6
Current @ Voltage	17.500 A @ 575.0 V
Design Code	A
Drip Cover	No Drip Cover
Duty Rating	CONT
Efficiency @ 100% Load	91.0 %
Electrically Isolated Bearing	Not Electrically Isolated
Feedback Device	NO FEEDBACK
Haz Area Temp Code	T3C
Heater Indicator	No Heater
High Voltage Full Load Amps	17.5 a
Insulation Class	F
Inverter Code	Inverter Duty

Part detail

Revision	G
Type	AC
Mech. spec.	
Base	
Status	PRD/A
Elec. spec.	09WVGZ695
Layout	09LYF368
Eff. date	02-14-2024
CD Diagram	CD0006
Poles	02
Leads	3#12
Proprietary	False
Created date	07-19-2019

IP Rating	NONE
KVA Code	H
Lifting Lugs	Standard Lifting Lugs
Locked Bearing Indicator	Locked Bearing
Max Speed	5400 rpm
Motor Lead Termination	Flying Leads
Motor Standards	NEMA
Motor Type	0950M
Mounting Arrangement	F1
Number of Poles	2
Overall Length	26.00 IN
Power Factor	91
Product Family	Hazardous Location Motor
Pulley Face Code	C-Face
Rodent Screen	None
RoHS Status	ROHS NON-COMPLIANT
Service Factor	1.00
Shaft Diameter	1.625 IN
Shaft Ground Indicator	No Shaft Grounding
Shaft Rotation	Reversible
Speed	3530 rpm
Speed Code	Single Speed
Starting Method	Direct on line
Thermal Device - Bearing	None
Thermal Device - Winding	Normally Closed Thermostat
Vibration Sensor Indicator	No Vibration Sensor
Winding Thermal 1	None
Winding Thermal 2	None

Nameplate

NP1401XPSLEV

NO.		CC	010A				
S/N		TEMP CODE	T3C				
SPEC.	09-0000-1599	INV.TYPE	PWM				
CAT.NO.	CDRX25224T-5	C HP FR	60	C HP TO	90		
HP	20	CT HZ FROM	6	CT HZ TO	60		
VOLTS	575	VT HZ FROM	6	VT HZ TO	60		
AMPS	17.5	MAG CUR	4.3				
RPM	3530	MX RPM	5400				
HZ	60	PH	3	CL	F	NOM.EFF.	91
SER.F.	1.00	DES	A	SL HZ	1.2	WK2	1.28
FRAME	256TC	RATING	40C AMB-CONT				
	55C AMB @ 1.0 SF, 60C RISE						
	1.15SF ON SINEWAVE		NEMA MG-1 PT.5,IP55				

AC Induction Motor Performance Data

Record # 77604

Typical performance - not guaranteed values

Winding: 09WGZ695-R002		Type: 0950M		Enclosure: XPFC	
Nameplate Data			575 V, 60 Hz: Single Voltage Motor		
Rated Output (HP)	20	Full Load Torque	29.8 LB-FT		
Volts	575	Start Configuration	direct on line		
Full Load Amps	17.5	Breakdown Torque	102 LB-FT		
R.P.M.	3530	Pull-up Torque	49.5 LB-FT		
Hz	60	Phase	3	Locked-rotor Torque	57.7 LB-FT
NEMA Design Code	A	KVA Code	H	Starting Current	141 A
Service Factor (S.F.)	1	No-load Current	4.34 A		
NEMA Nom. Eff.	91	Power Factor	91	Line-line Res. @ 25°C	0.647 Ω
Rating - Duty	40C AMB-CONT		Temp. Rise @ Rated Load	53°C	
S.F. Amps			Temp. Rise @ S.F. Load	67°C	
			Locked-rotor Power Factor	28.1	
			Rotor inertia	1.28 LB-FT ²	

Load Characteristics 575 V, 60 Hz, 20 HP

% of Rated Load	25	50	75	100	125	150
Power Factor	69	86	91	92	92	92
Efficiency	88.9	92.2	93.1	92.6	91.8	90.9
Speed	3581	3564	3546	3528	3507	3485
Line amperes	6.24	9.52	13.4	17.5	21.9	26.6

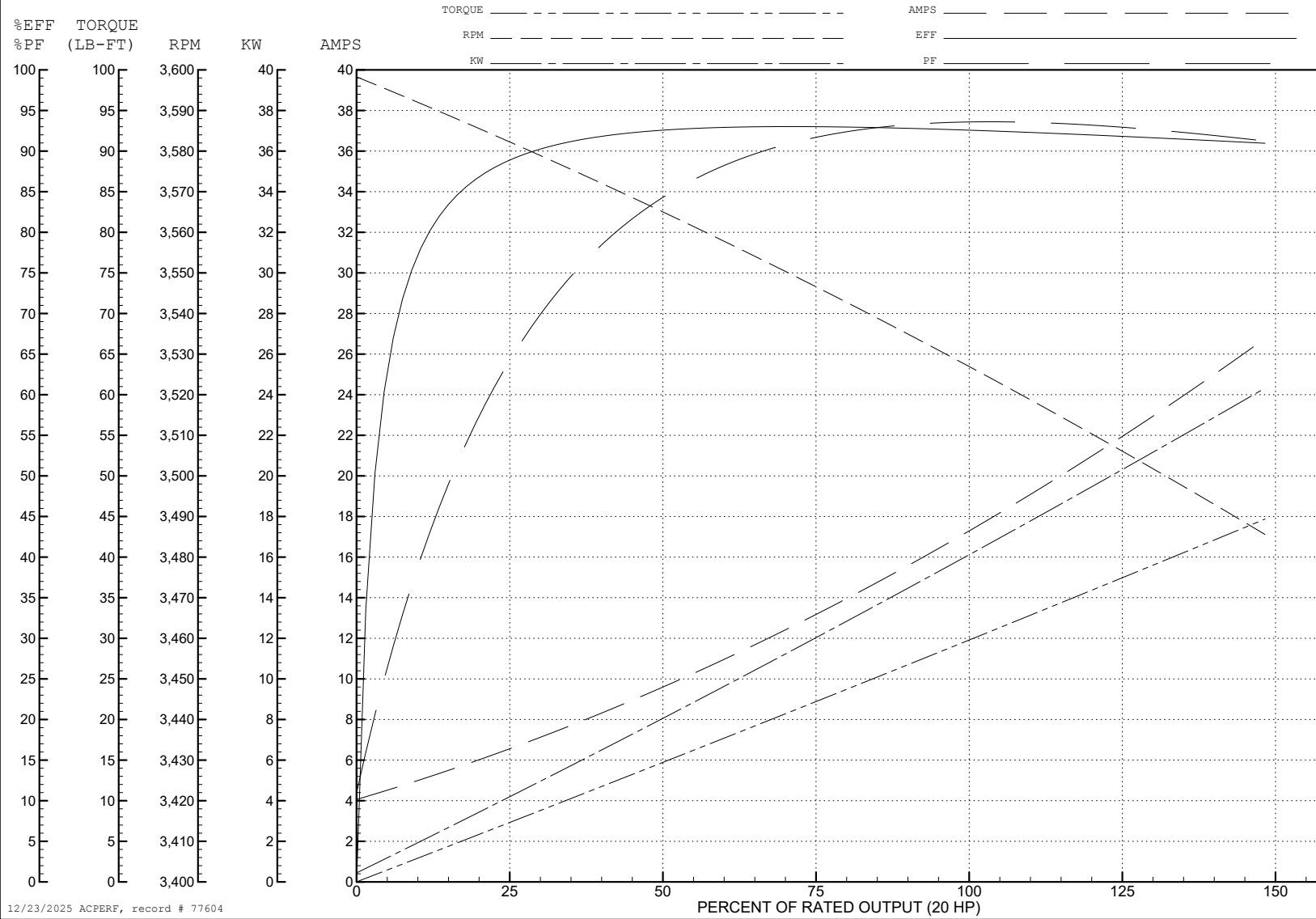
ABB Motors and Mechanical Inc.

WINDING # 09WGZ695

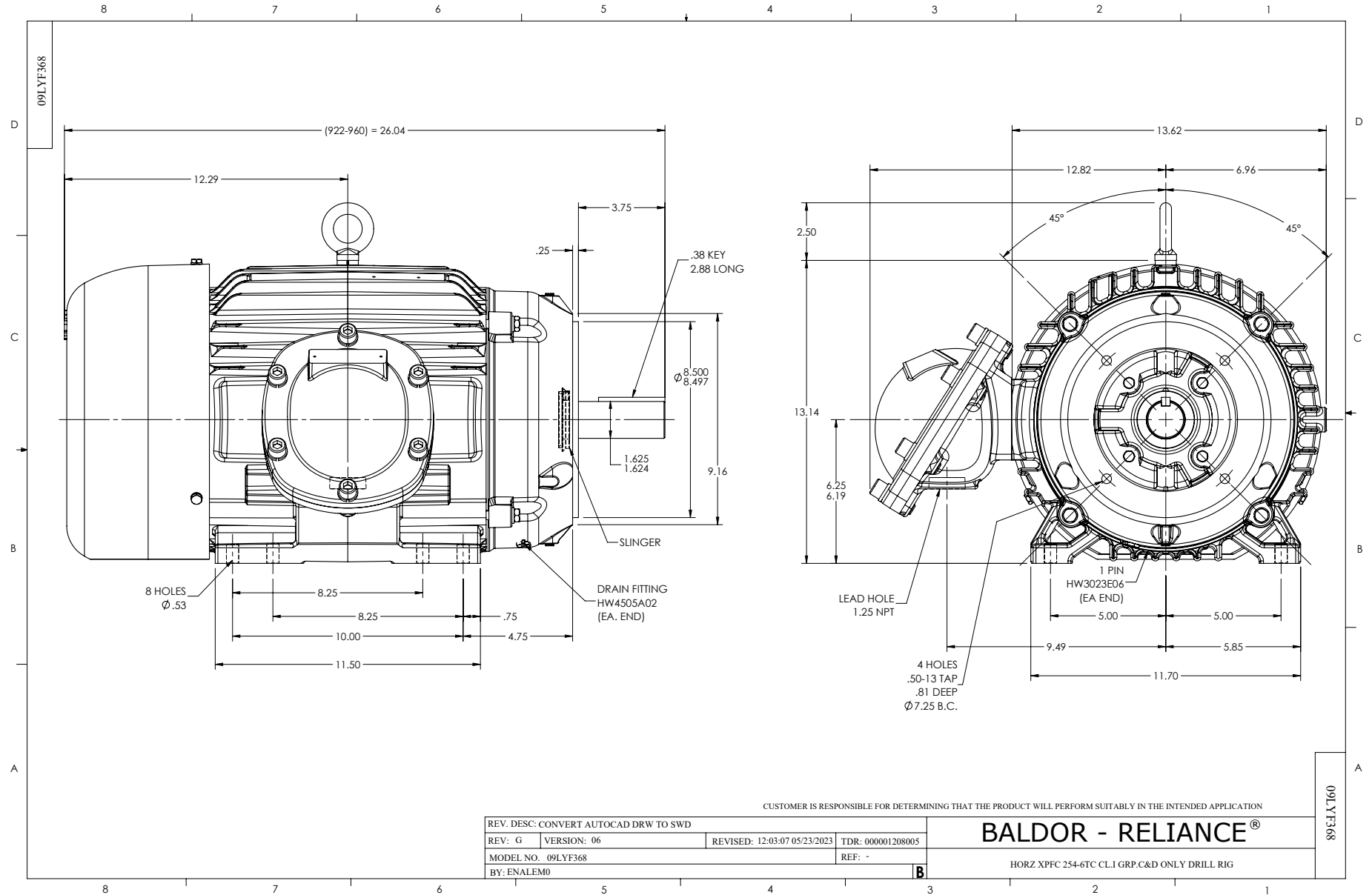
Typical performance - not guaranteed values.

20 HP 3 PH 60 HZ 3530 RPM 575 V 0950M

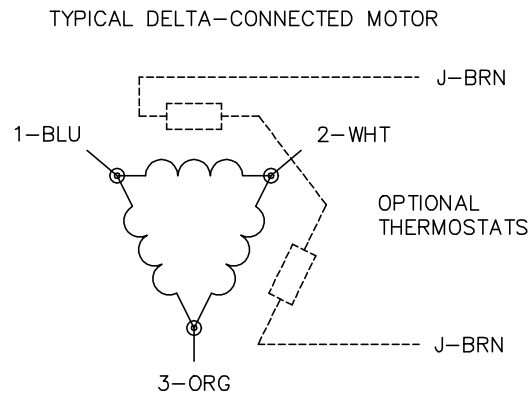
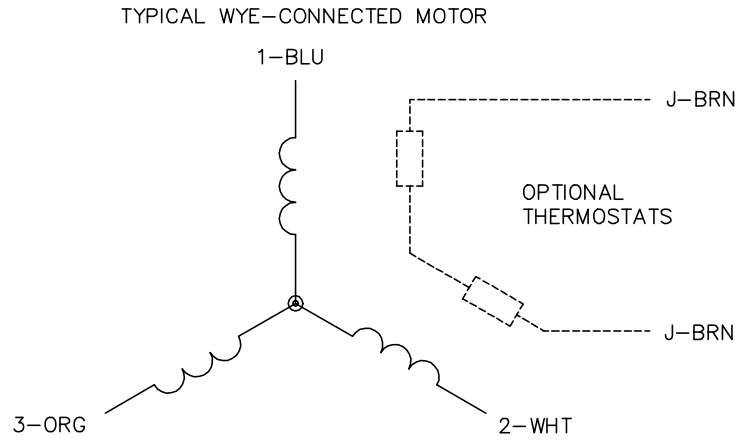
TORQUES (LB-FT): PO=102 PU=49.5 LR=57.7 LRA=141



12/23/2025 ACPERF, record # 77604



CD0006



NOTES:

1. THREE LEAD MOTOR MAY BE EITHER WYE CONNECTED OR DELTA CONNECTED.
2. INTERCHANGE ANY TWO LINE LEADS TO REVERSE ROTATION.
3. OPTIONAL THERMOSTATS ARE PROVIDED WHEN SPECIFIED.
4. ACTUAL NUMBER OF INTERNAL PARALLEL CIRCUITS MAY VARY.
5. LEAD COLORS ARE OPTIONAL. LEADS MUST BE NUMBERED AS SHOWN.

CD0006

REV. DESC: ADD CLASS CONN00000007		
REV. LTR: E	VERSION: 01	TDR: 000001099922
FILE: \AAA\00005\141	REVISED: 10:24:49 02/19/2019	BY: ENBRIRO
MTL: -	© □	

BALDOR - RELIANCE®

3PH, SV, 3 LEADS, WYE OR DELTA CONNECTED

SH 1 of 1