

BALDOR • RELIANCE

Customer information packet

CDRX18544T-5

5HP, 1750RPM, 3PH, 60HZ, 184TC, XPFC, F1

Class - CLI GP C,D

Division - Division I

Specifications

Enclosure	XPFC
Frame	184TC
Frame Material	Iron
Frequency	60.00 Hz
Haz Area Class and Group	CLI GP C,D
Haz Area Division	Division I
Motor Letter Type	Three Phase
Output @ Frequency	5.000 HP @ 60 HZ
Phase	3
Synchronous Speed @ Frequency	1800 RPM @ 60 HZ
Voltage @ Frequency	575.0 V @ 60 HZ
Agency Approvals	CSA EEV UL
Ambient Temperature	40 °C
Auxiliary Box	NO AUXILLARY BOX
Auxiliary Box Lead Termination	None
Base Indicator	Rigid
Bearing Grease Type	Polyrex EM (-20F +300F)
Blower	None
Constant Torque Speed Range	6
Current @ Voltage	5.300 A @ 575.0 V
Design Code	B
Drip Cover	No Drip Cover
Duty Rating	CONT
Efficiency @ 100% Load	89.5 %
Electrically Isolated Bearing	Not Electrically Isolated
Feedback Device	NO FEEDBACK
Haz Area Temp Code	T3C
Heater Indicator	No Heater
High Voltage Full Load Amps	5.3 a
Insulation Class	F
Inverter Code	Inverter Duty

Part detail

Revision	C
Type	AC
Mech. spec.	
Base	
Status	PRD/A
Elec. spec.	06WGX200
Layout	06LYH515
Eff. date	01-19-2024
CD Diagram	CD0006
Poles	04
Leads	3#16
Proprietary	False
Created date	07-19-2019

IP Rating	NONE
KVA Code	J
Lifting Lugs	Standard Lifting Lugs
Locked Bearing Indicator	Locked Bearing
Max Speed	2700 rpm
Motor Lead Termination	Flying Leads
Motor Standards	NEMA
Motor Type	0642M
Mounting Arrangement	F1
Number of Poles	4
Overall Length	18.31 IN
Power Factor	79
Product Family	General Purpose
Pulley Face Code	C-Face
Rodent Screen	None
RoHS Status	ROHS NON-COMPLIANT
Service Factor	1.00
Shaft Diameter	1.125 IN
Shaft Ground Indicator	No Shaft Grounding
Shaft Rotation	Reversible
Speed	1750 rpm
Speed Code	Single Speed
Starting Method	Direct on line
Thermal Device - Bearing	None
Thermal Device - Winding	Normally Closed Thermostat
Vibration Sensor Indicator	No Vibration Sensor
Winding Thermal 1	None
Winding Thermal 2	None

Nameplate

NP1401XPSLEV

NO.		CC	010A				
S/N		TEMP CODE	T3C				
SPEC.	06-0000-0181	INV.TYPE	PWM				
CAT.NO.	CDRX18544T-5	C HP FR	60	C HP TO	90		
HP	5	CT HZ FROM	6	CT HZ TO	60		
VOLTS	575	VT HZ FROM	6	VT HZ TO	60		
AMPS	5.3	MAG CUR	2.3				
RPM	1750	MX RPM	2700				
HZ	60	PH	3	CL	F	NOM.EFF.	89.5
SER.F.	1.00	DES	B	SL HZ	1.7	WK2	0.39
FRAME	184TC	RATING	40C AMB-CONT				
	55C AMB @ 1.0 SF						
	1.15 SF SINEWAVE		NEMA MG-1 PT 5,IP55				

AC Induction Motor Performance Data

Record # 77542

Typical performance - not guaranteed values

Winding: 06WGX200-R053		Type: 0642M		Enclosure: XPFC	
Nameplate Data			575 V, 60 Hz: Single Voltage Motor		
Rated Output (HP)	5	Full Load Torque	15.04 LB-FT		
Volts	575	Start Configuration	direct on line		
Full Load Amps	5.3	Breakdown Torque	52.3 LB-FT		
R.P.M.	1750	Pull-up Torque	21.6 LB-FT		
Hz	60 Phase	Locked-rotor Torque	30.7 LB-FT		
NEMA Design Code	B KVA Code	Starting Current	36.3 A		
Service Factor (S.F.)	1	No-load Current	2.34 A		
NEMA Nom. Eff.	89.5 Power Factor	Line-line Res. @ 25°C	4.27 Ω		
Rating - Duty	40C AMB-CONT	Temp. Rise @ Rated Load	54°C		
		Locked-rotor Power Factor	40.6		
		Rotor inertia	0.391 LB-FT ²		

Load Characteristics 575 V, 60 Hz, 5 HP

% of Rated Load	25	50	75	100	125	150
Power Factor	42	64	76	81	84	85
Efficiency	85.2	89.8	90.1	89.7	88.2	86.4
Speed	1788	1777	1764	1751	1736	1719
Line amperes	2.61	3.26	4.13	5.14	6.31	7.59

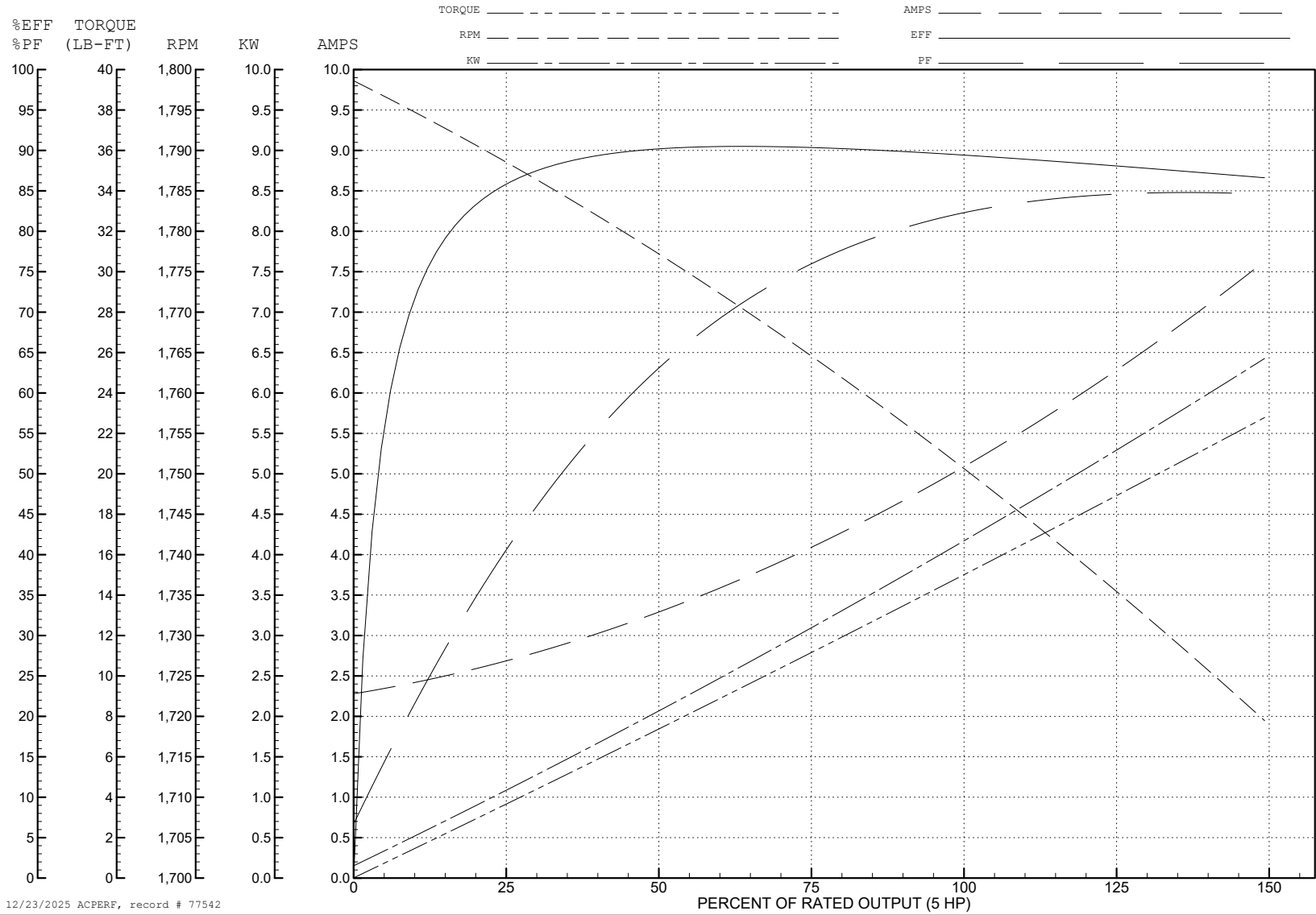
ABB Motors and Mechanical Inc.

WINDING # 06WGX200

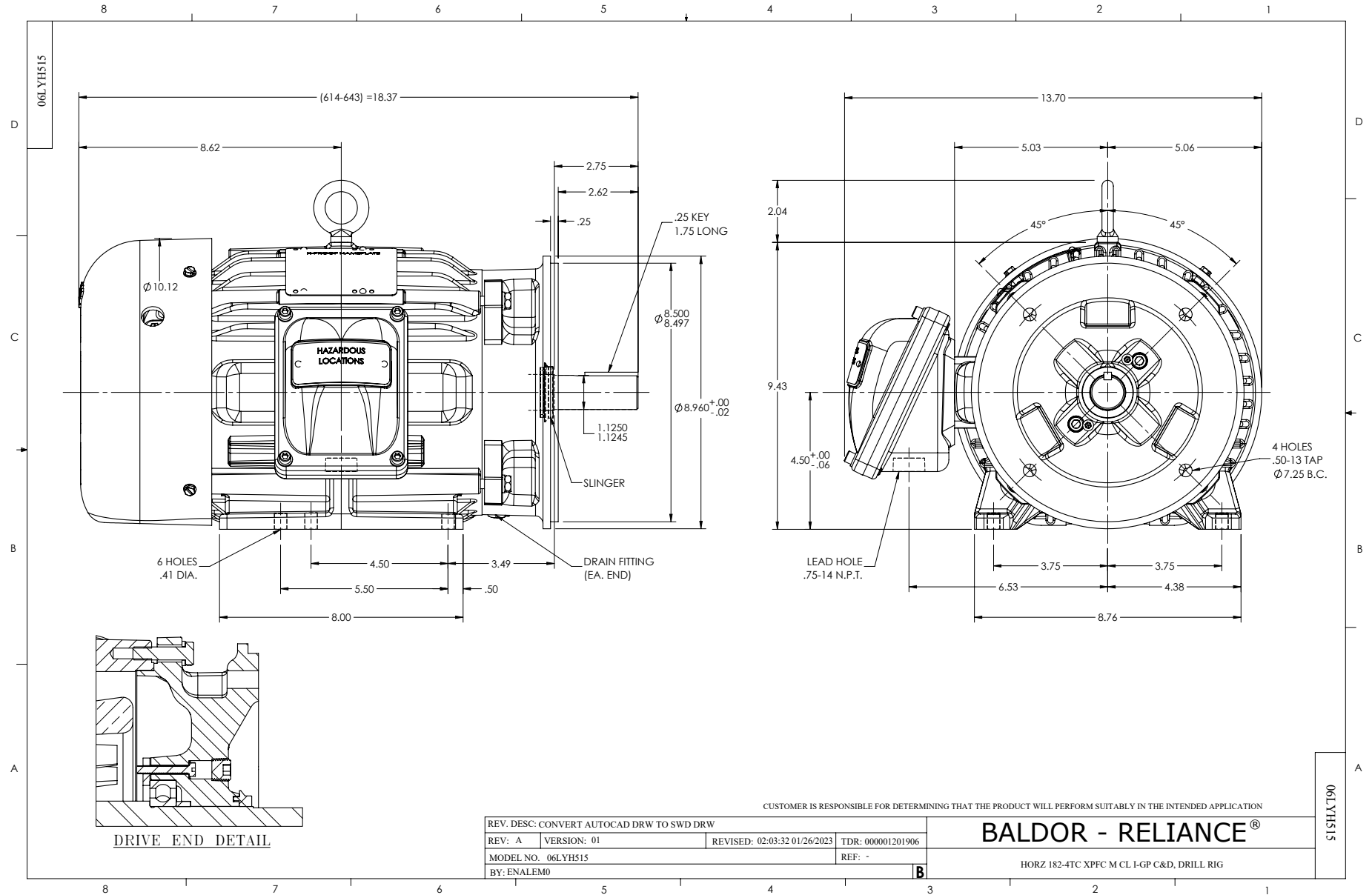
5 HP 3 PH 60 HZ 1750 RPM 575 V 0642M

Typical performance - not guaranteed values.

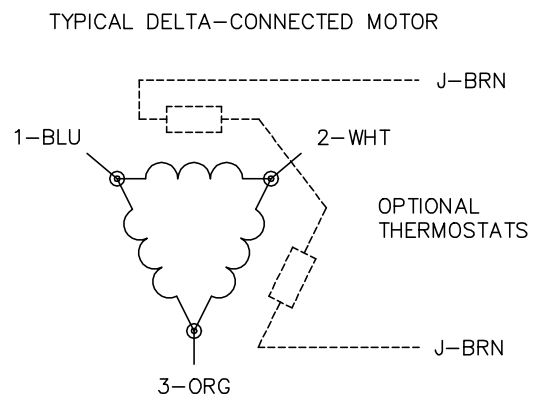
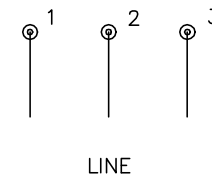
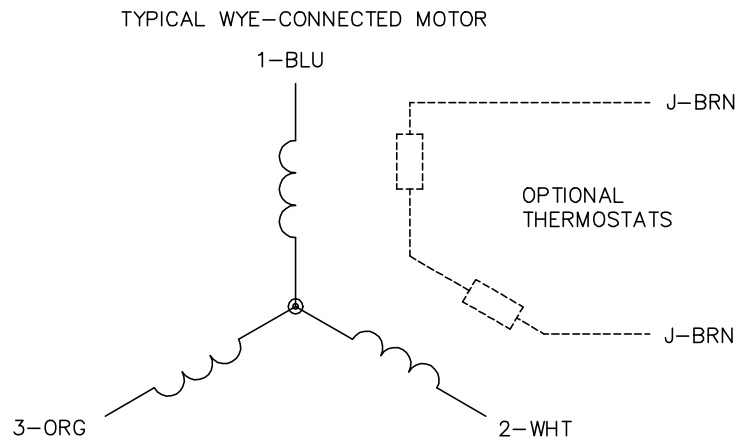
TORQUES (LB-FT): PO=52.3 PU=21.6 LR=30.7 LRA=36.3



12/23/2025 ACPERF, record # 77542



CD0006



NOTES:

1. THREE LEAD MOTOR MAY BE EITHER WYE CONNECTED OR DELTA CONNECTED.
2. INTERCHANGE ANY TWO LINE LEADS TO REVERSE ROTATION.
3. OPTIONAL THERMOSTATS ARE PROVIDED WHEN SPECIFIED.
4. ACTUAL NUMBER OF INTERNAL PARALLEL CIRCUITS MAY VARY.
5. LEAD COLORS ARE OPTIONAL. LEADS MUST BE NUMBERED AS SHOWN.

CD0006

REV. DESC: ADD CLASS CONN00000007		
REV. LTR: E	VERSION: 01	TDR: 000001099922
FILE: \AAA\00005\141	REVISED: 10:24:49 02/19/2019	BY: ENBRIRO
MTL: -	© □	

BALDOR - RELIANCE®

3PH, SV, 3 LEADS, WYE OR DELTA CONNECTED

SH 1 of 1